



Cabinet Systems

Vanity Cabinets

Cabinetmaker's Choice, LLC (r-1169)
P.O.Box729
Newtown, CT 06470-0729

Neil Ratner - Phone: (203) 426-3247 Fax: (203) 270-9994 Email: sales1@cabinetmakerschoice.com

Chad Witwer - Phone: (717) 823-6204 Fax: (717) 427-1743 Email: sales2@cabinetmakerschoice.com

Jim Gamache - Phone: (203) 678-3015 Fax: (203) 702-5104 Email: sales3@cabinetmakerschoice.com

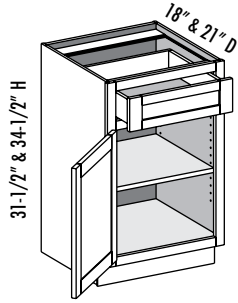
www.cabinetmakerschoice.com

© 2009 Conestoga Wood Specialties Corporation. All the information contained herein is thought to be accurate at the time of printing. However, no responsibility is assumed by Conestoga Wood Specialties Corporation. All rights reserved. Reproduction of any part of this publication without the express written permission of Conestoga Wood Specialties Corporation is a violation of applicable laws. Order forms may be reproduced without notice to Conestoga Wood Specialties Corporation provided they are used to order Conestoga Wood Specialties Corporation products. All prices and specifications are subject to change without notice. All pictures and graphics are for visual representation only. This publication supersedes all prior technical, policy and price data.

Conestoga Wood Specialties Corporation



VB - Vanity Base

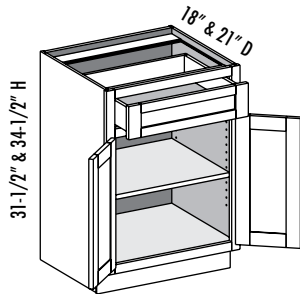


D	DF	DB	EXT	EXP	FL	MI	STR	FT	FTRA
1	1	1	✓	✓	✓	✓		✓	✓

- FTRA not available on 12" wide cabinet

Cabinet Code	Craftsman	Pioneer		Flush End (ea.)	Exposed End (ea.)	Doors			Drawer Fronts		
	4-sided	4-sided	Shelf*			Inset	1/2"	1-1/4"	Inset	1/2"	1-1/4"
VB1231.5	\$115.00	\$90.00	\$4.00	\$7.50	\$4.75	1.1	1.3	1.6	0.3	0.4	0.5
VB1531.5	120.00	95.00	4.00	7.50	4.75	1.5	1.7	2.0	0.4	0.5	0.6
VB1831.5	125.00	100.00	6.00	7.50	4.75	1.8	2.1	2.5	0.5	0.7	0.8
VB2131.5	130.00	105.00	6.00	7.50	4.75	2.2	2.5	2.9	0.6	0.8	0.9
VB1234.5	120.00	95.00	4.00	8.25	5.25	1.3	1.5	1.9	0.3	0.4	0.5
VB1534.5	125.00	100.00	4.00	8.25	5.25	1.7	2.0	2.3	0.4	0.5	0.6
VB1834.5	130.00	105.00	6.00	8.25	5.25	2.1	2.4	2.8	0.5	0.7	0.8
VB2134.5	135.00	110.00	6.00	8.25	5.25	2.6	2.9	3.3	0.6	0.8	0.9

VB - Vanity Base w/Butt Doors



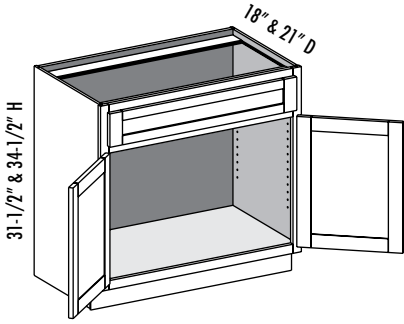
D	DF	DB	EXT	EXP	FL	MI	STR	FT	FTRA
2	1	1	✓	✓	✓	✓		✓	✓

Cabinet Code	Craftsman	Pioneer		Flush End (ea.)	Exposed End (ea.)	Doors			Drawer Fronts		
	4-sided	4-sided	Shelf*			Inset	1/2"	1-1/4"	Inset	1/2"	1-1/4"
VB2431.5BD	\$135.00	\$110.00	\$8.00	\$7.50	\$4.75	2.6	2.9	3.3	0.7	0.9	1.0
VB2434.5BD	140.00	115.00	8.00	8.25	5.25	3.0	3.3	3.8	0.7	0.9	1.0

Options Key: D=Number of Doors DF=Number of Drawer Fronts DB=Drawer Box EXT=Extended Stiles EXP=Exposed End FL=Flush End MI=Matching Interior STR=Shaped Top Rail FT=Flush Toe FTRA=Flush Toe with Roman Arch Shape
*Wood shelf upgrade



VS - Vanity Sink w/Butt Doors

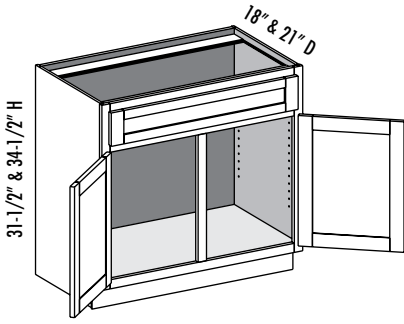


D	DF	DB	EXT	EXP	FL	MI	STR	FT	FTRA
2	1		✓	✓	✓	✓		✓	✓

- False drawer
- No drawer or shelf with sink units

Cabinet Code	Craftsman	Pioneer		Flush End (ea.)	Exposed End (ea.)	Doors			Drawer Fronts		
	4-sided	4-sided	Shelf*			Inset	1/2"	1-1/4"	Inset	1/2"	1-1/4"
VS2431.5BD	\$90.00	\$60.00	—	\$7.50	\$4.75	2.6	2.9	3.3	0.7	0.9	1.0
VS2731.5BD	95.00	65.00	—	7.50	4.75	2.9	3.3	3.7	0.8	1.0	1.2
VS3031.5BD	100.00	70.00	—	7.50	4.75	3.3	3.7	4.1	0.9	1.2	1.3
VS3331.5BD	105.00	75.00	—	7.50	4.75	3.7	4.1	4.6	1.0	1.3	1.4
VS3631.5BD	115.00	85.00	—	7.50	4.75	4.0	4.5	5.0	1.1	1.4	1.5
VS2434.5BD	95.00	65.00	—	8.25	5.25	3.0	3.3	3.8	0.7	0.9	1.0
VS2734.5BD	100.00	70.00	—	8.25	5.25	3.4	3.8	4.3	0.8	1.0	1.2
VS3034.5BD	105.00	75.00	—	8.25	5.25	3.8	4.3	4.7	0.9	1.2	1.3
VS3334.5BD	110.00	80.00	—	8.25	5.25	4.3	4.7	5.2	1.0	1.3	1.4
VS3634.5BD	120.00	90.00	—	8.25	5.25	4.7	5.2	5.7	1.1	1.4	1.5

VS - Vanity Sink



D	DF	DB	EXT	EXP	FL	MI	STR	FT	FTRA
2	1		✓	✓	✓	✓		✓	✓

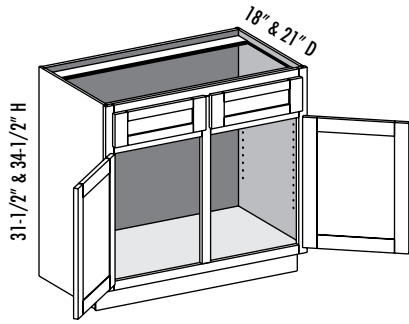
- False drawer
- No drawer or shelf with sink units

Cabinet Code	Craftsman	Pioneer		Flush End (ea.)	Exposed End (ea.)	Doors			Drawer Fronts		
	4-sided	4-sided	Shelf*			Inset	1/2"	1-1/4"	Inset	1/2"	1-1/4"
VS3031.5	\$105.00	\$65.00	—	\$7.50	\$4.75	3.1	3.6	4.1	0.9	1.2	1.3
VS3331.5	110.00	70.00	—	7.50	4.75	3.5	4.0	4.5	1.0	1.3	1.4
VS3631.5	120.00	80.00	—	7.50	4.75	3.9	4.4	4.9	1.1	1.4	1.5
VS3034.5	110.00	70.00	—	8.25	5.25	3.6	4.2	4.7	0.9	1.2	1.3
VS3334.5	115.00	75.00	—	8.25	5.25	4.1	4.7	5.2	1.0	1.3	1.4
VS3634.5	125.00	85.00	—	8.25	5.25	4.5	5.1	5.7	1.1	1.4	1.5

Options Key: D=Number of Doors DF=Number of Drawer Fronts DB=Drawer Box EXT=Extended Stiles EXP=Exposed End FL=Flush End MI=Matching Interior STR=Shaped Top Rail FT=Flush Toe FTRA=Flush Toe with Roman Arch Shape
*Wood shelf upgrade



VSX - Vanity Sink w/False Drawer Fronts

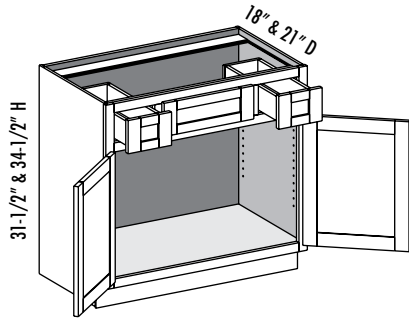


D	DF	DB	EXT	EXP	FL	MI	STR	FT	FTRA
2	2		✓	✓	✓	✓		✓	✓

- False top drawers
- No drawers or shelf with sink units

Cabinet Code	Craftsman	Pioneer		Flush End (ea.)	Exposed End (ea.)	Doors			Drawer Fronts		
	4-sided	4-sided	Shelf*			Inset	1/2"	1-1/4"	Inset	1/2"	1-1/4"
VSX3031.5	\$95.00	\$70.00	—	\$7.50	\$4.75	3.1	3.6	4.1	0.8	1.1	1.3
VSX3631.5	105.00	80.00	—	7.50	4.75	3.9	4.4	4.9	1.0	1.4	1.5
VSX3034.5	100.00	75.00	—	8.25	5.25	3.6	4.2	4.7	0.8	1.1	1.3
VSX3634.5	110.00	85.00	—	8.25	5.25	4.5	5.1	5.7	1.0	1.4	1.5

VBS - Vanity Base Sink w/Butt Doors

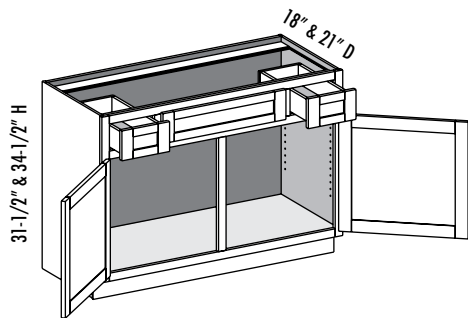


D	DF	DB	EXT	EXP	FL	MI	STR	FT	FTRA
2	3	2	✓	✓	✓	✓		✓	✓

- False top middle drawer

Cabinet Code	Craftsman	Pioneer		Flush End (ea.)	Exposed End (ea.)	Doors			Drawer Fronts		
	4-sided	4-sided	Shelf*			Inset	1/2"	1-1/4"	Inset	1/2"	1-1/4"
VBS3631.5BD	\$165.00	\$145.00	—	\$7.50	\$4.75	4.0	4.5	5.0	1.0	1.4	1.5
VBS3634.5BD	170.00	150.00	—	8.25	5.25	4.7	5.2	5.7	1.0	1.4	1.5

VBS - Vanity Base Sink



D	DF	DB	EXT	EXP	FL	MI	STR	FT	FTRA
2	3	2	✓	✓	✓	✓		✓	✓

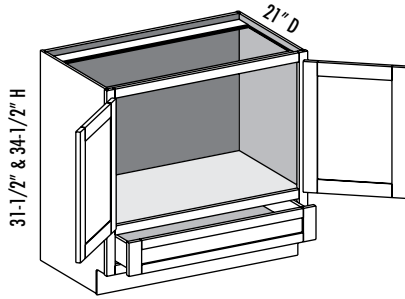
- False top middle drawer

Cabinet Code	Craftsman	Pioneer		Flush End (ea.)	Exposed End (ea.)	Doors			Drawer Fronts		
	4-sided	4-sided	Shelf*			Inset	1/2"	1-1/4"	Inset	1/2"	1-1/4"
VBS4231.5	\$175.00	\$150.00	—	\$7.50	\$4.75	4.6	5.2	5.8	1.2	1.6	1.8
VBS4831.5	185.00	160.00	—	7.50	4.75	5.3	6.0	6.6	1.4	1.9	2.0
VBS4234.5	180.00	155.00	—	8.25	5.25	5.4	6.0	6.6	1.2	1.6	1.8
VBS4834.5	190.00	165.00	—	8.25	5.25	6.2	7.0	7.6	1.4	1.9	2.0

Options Key: D=Number of Doors DF=Number of Drawer Fronts DB=Drawer Box EXT=Extended Stiles EXP=Exposed End FL=Flush End MI=Matching Interior STR=Shaped Top Rail FT=Flush Toe FTRA=Flush Toe with Roman Arch Shape
*Wood shelf upgrade



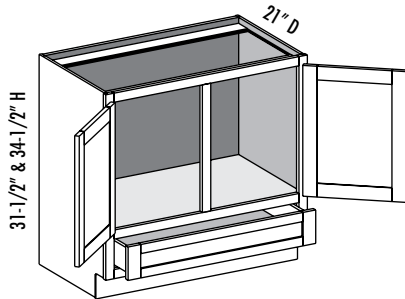
VSRV - Vanity Sink Reverse w/Butt Doors



D	DF	DB	EXT	EXP	FL	MI	STR	FT	FTRA
2	1	1	✓	✓	✓	✓	✓	✓	✓

Cabinet Code	Craftsman	Pioneer		Flush End (ea.)	Exposed End (ea.)	Doors			Drawer Fronts		
	4-sided	4-sided	Shelf*			Inset	1/2"	1-1/4"	Inset	1/2"	1-1/4"
VS2431.5RVBD	\$150.00	\$115.00	—	\$7.50	\$4.75	2.6	2.9	3.1	0.7	0.9	1.2
VS3031.5RVBD	155.00	120.00	—	7.50	4.75	3.3	3.7	3.9	0.9	1.2	1.5
VS3631.5RVBD	165.00	130.00	—	7.50	4.75	4.0	4.5	4.7	1.1	1.4	1.8
VS2434.5RVBD	155.00	120.00	—	8.25	5.25	3.0	3.3	3.6	0.7	0.9	1.2
VS3034.5RVBD	160.00	125.00	—	8.25	5.25	3.8	4.3	4.5	0.9	1.2	1.5
VS3634.5RVBD	170.00	135.00	—	8.25	5.25	4.7	5.2	5.5	1.1	1.4	1.8

VSRV - Vanity Sink Reverse



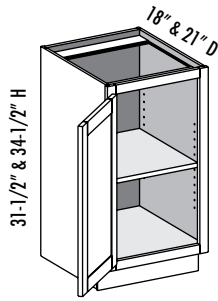
D	DF	DB	EXT	EXP	FL	MI	STR	FT	FTRA
2	1	1	✓	✓	✓	✓		✓	✓

Cabinet Code	Craftsman	Pioneer		Flush End (ea.)	Exposed End (ea.)	Doors			Drawer Fronts		
	4-sided	4-sided	Shelf*			Inset	1/2"	1-1/4"	Inset	1/2"	1-1/4"
VS3031.5RV	\$160.00	\$130.00	—	\$7.50	\$4.75	3.1	3.6	3.9	0.9	1.2	1.5
VS3631.5RV	170.00	140.00	—	7.50	4.75	3.9	4.4	4.7	1.1	1.4	1.8
VS3034.5RV	165.00	135.00	—	8.25	5.25	3.6	4.2	4.5	0.9	1.2	1.5
VS3634.5RV	175.00	145.00	—	8.25	5.25	4.5	5.1	5.4	1.1	1.4	1.8

Options Key: D=Number of Doors DF=Number of Drawer Fronts DB=Drawer Box EXT=Extended Stiles EXP=Exposed End FL=Flush End MI=Matching Interior STR=Shaped Top Rail FT=Flush Toe FTRA=Flush Toe with Roman Arch Shape
 *Wood shelf upgrade



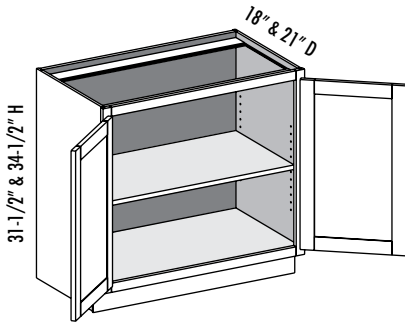
VBF - Vanity Base Full Door



D	DF	DB	EXT	EXP	FL	MI	STR	FT	FTRA
1			✓	✓	✓	✓	✓	✓	✓

Cabinet Code	Craftsman	Pioneer		Flush End (ea.)	Exposed End (ea.)	Doors			Drawer Fronts		
	4-sided	4-sided	Shelf*			Inset	1/2"	1-1/4"	Inset	1/2"	1-1/4"
VBF1831.5	\$90.00	\$55.00	\$6.00	\$7.50	\$4.75	2.5	2.8	3.3	—	—	—
VBF1834.5	95.00	60.00	6.00	8.25	5.25	2.8	3.2	3.6	—	—	—

VBF - Vanity Base Full Door w/Butt Doors



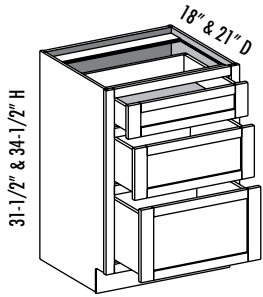
D	DF	DB	EXT	EXP	FL	MI	STR	FT	FTRA
2			✓	✓	✓	✓	✓	✓	✓

Cabinet Code	Craftsman	Pioneer		Flush End (ea.)	Exposed End (ea.)	Doors			Drawer Fronts		
	4-sided	4-sided	Shelf*			Inset	1/2"	1-1/4"	Inset	1/2"	1-1/4"
VBF2431.5BD	\$95.00	\$60.00	\$8.00	\$7.50	\$4.75	3.5	3.9	4.4	—	—	—
VBF2731.5BD	100.00	65.00	10.00	7.50	4.75	4.0	4.4	4.9	—	—	—
VBF3031.5BD	105.00	70.00	11.00	7.50	4.75	4.5	4.9	5.5	—	—	—
VBF3631.5BD	115.00	80.00	13.00	7.50	4.75	5.5	6.0	6.6	—	—	—
VBF2434.5BD	100.00	65.00	8.00	8.25	5.25	3.9	4.3	4.9	—	—	—
VBF2734.5BD	105.00	70.00	10.00	8.25	5.25	4.5	4.9	5.5	—	—	—
VBF3034.5BD	110.00	75.00	11.00	8.25	5.25	5.0	5.5	6.1	—	—	—
VBF3634.5BD	120.00	85.00	13.00	8.25	5.25	6.2	6.7	7.4	—	—	—

Options Key: D=Number of Doors DF=Number of Drawer Fronts DB=Drawer Box EXT=Extended Stiles EXP=Exposed End FL=Flush End MI=Matching Interior STR=Shaped Top Rail FT=Flush Toe FTRA=Flush Toe with Roman Arch Shape
*Wood shelf upgrade



V3D - Vanity Three Drawer

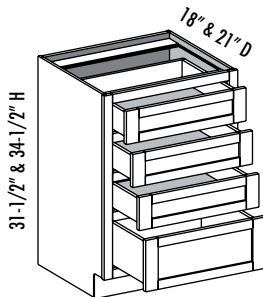


D	DF	DB	EXT	EXP	FL	MI	STR	FT	FTRA
	3	3	✓	✓	✓	✓		✓	✓

• 2" rail between bottom two drawers 31-1/2" high only.

Cabinet Code	Craftsman	Pioneer		Flush End (ea.)	Exposed End (ea.)	Doors			Drawer Fronts		
	4-sided	4-sided	Shelf*			Inset	1/2"	1-1/4"	Inset	1/2"	1-1/4"
V3D1231.5	\$200.00	\$175.00	—	\$7.50	\$4.75	—	—	—	1.3	1.7	2.1
V3D1531.5	205.00	180.00	—	7.50	4.75	—	—	—	1.7	2.2	2.6
V3D1831.5	210.00	185.00	—	7.50	4.75	—	—	—	2.1	2.7	3.2
V3D2131.5	215.00	190.00	—	7.50	4.75	—	—	—	2.5	3.2	3.7
V3D2431.5	220.00	195.00	—	7.50	4.75	—	—	—	3.0	3.7	4.2
V3D1234.5	205.00	180.00	—	8.25	5.25	—	—	—	1.5	1.9	2.3
V3D1534.5	210.00	185.00	—	8.25	5.25	—	—	—	2.0	2.5	2.9
V3D1834.5	215.00	190.00	—	8.25	5.25	—	—	—	2.5	3.1	3.5
V3D2134.5	220.00	195.00	—	8.25	5.25	—	—	—	3.0	3.6	4.1
V3D2434.5	225.00	200.00	—	8.25	5.25	—	—	—	3.5	4.2	4.7

V4D - Vanity Four Drawer



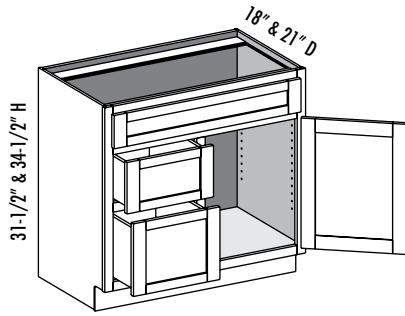
D	DF	DB	EXT	EXP	FL	MI	STR	FT	FTRA
	4	4	✓	✓	✓	✓		✓	✓

Cabinet Code	Craftsman	Pioneer		Flush End (ea.)	Exposed End (ea.)	Doors			Drawer Fronts		
	4-sided	4-sided	Shelf*			Inset	1/2"	1-1/4"	Inset	1/2"	1-1/4"
V4D1231.5	\$215.00	\$195.00	—	\$7.50	\$4.75	—	—	—	1.2	1.7	2.0
V4D1531.5	220.00	200.00	—	7.50	4.75	—	—	—	1.6	2.2	2.6
V4D1831.5	225.00	205.00	—	7.50	4.75	—	—	—	2.0	2.7	3.1
V4D2131.5	230.00	210.00	—	7.50	4.75	—	—	—	2.4	3.2	3.6
V4D2431.5	235.00	215.00	—	7.50	4.75	—	—	—	2.8	3.7	4.2
V4D1234.5	220.00	200.00	—	8.25	5.25	—	—	—	1.4	1.9	2.3
V4D1534.5	225.00	205.00	—	8.25	5.25	—	—	—	1.8	2.4	2.9
V4D1834.5	230.00	210.00	—	8.25	5.25	—	—	—	2.3	3.0	3.5
V4D2134.5	235.00	215.00	—	8.25	5.25	—	—	—	2.8	3.6	4.1
V4D2434.5	240.00	220.00	—	8.25	5.25	—	—	—	3.2	4.1	4.7

Options Key: D=Number of Doors DF=Number of Drawer Fronts DB=Drawer Box EXT=Extended Stiles EXP=Exposed End FL=Flush End MI=Matching Interior STR=Shaped Top Rail FT=Flush Toe FTRA=Flush Toe with Roman Arch Shape
 *Wood shelf upgrade



VCL - Vanity Combination Left

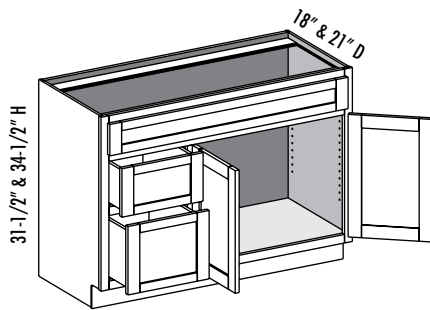


D	DF	DB	EXT	EXP	FL	MI	STR	FT	FTRA
1	3	2	✓	✓	✓	✓		✓	✓

- False top drawer
- 2" rail between bottom two drawers 31-1/2" high only

Cabinet Code	Craftsman	Pioneer		Flush End (ea.)	Exposed End (ea.)	Doors			Drawer Fronts		
	4-sided	4-sided	Shelf*			Inset	1/2"	1-1/4"	Inset	1/2"	1-1/4"
VCL2431.5	\$175.00	\$145.00	—	\$7.50	\$4.75	1.3	1.5	1.7	1.7	2.2	2.5
VCL3031.5	180.00	150.00	—	7.50	4.75	1.6	1.9	2.1	2.2	2.8	3.2
VCL3331.5	185.00	155.00	—	7.50	4.75	1.8	2.1	2.4	2.4	3.1	3.5
VCL3631.5	195.00	165.00	—	7.50	4.75	2.0	2.3	2.6	2.7	3.4	3.8
VCL2434.5	180.00	150.00	—	8.25	5.25	1.5	1.8	2.0	1.9	2.4	2.7
VCL3034.5	185.00	155.00	—	8.25	5.25	1.9	2.2	2.5	2.5	3.1	3.5
VCL3334.5	190.00	160.00	—	8.25	5.25	2.1	2.4	2.7	2.8	3.5	3.8
VCL3634.5	200.00	170.00	—	8.25	5.25	2.4	2.7	2.9	3.1	3.8	4.2

VCL - Vanity Combination Left w/Butt Doors



D	DF	DB	EXT	EXP	FL	MI	STR	FT	FTRA
2	3	2	✓	✓	✓	✓		✓	✓

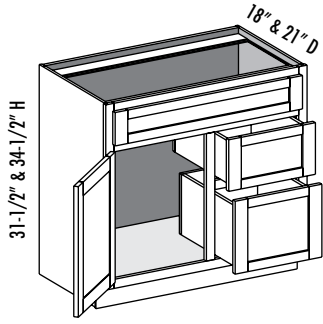
- False top drawer
- 2" rail between bottom two drawers 31-1/2" high only
- Doors hinged on center stile require 1/2" overlay hinges for 1-1/4" or 1-3/8" overlays

Cabinet Code	Craftsman	Pioneer		Flush End (ea.)	Exposed End (ea.)	Doors			Drawer Fronts		
	4-sided	4-sided	Shelf*			Inset	1/2"	1-1/4"	Inset	1/2"	1-1/4"
VCL4231.5BD	\$200.00	\$175.00	—	\$7.50	\$4.75	3.1	3.5	3.8	2.6	3.3	3.7
VCL4831.5BD	210.00	185.00	—	7.50	4.75	3.5	3.9	4.2	3.1	3.9	4.4
VCL4234.5BD	205.00	180.00	—	8.25	5.25	3.6	4.0	4.4	2.9	3.6	4.0
VCL4834.5BD	215.00	190.00	—	8.25	5.25	4.1	4.5	4.9	3.5	4.3	4.7

Options Key: D=Number of Doors DF=Number of Drawer Fronts DB=Drawer Box EXT=Extended Stiles EXP=Exposed End FL=Flush End MI=Matching Interior STR=Shaped Top Rail FT=Flush Toe FTRA=Flush Toe with Roman Arch Shape
*Wood shelf upgrade



VCR - Vanity Combination Right

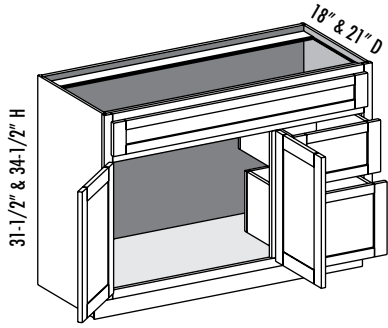


D	DF	DB	EXT	EXP	FL	MI	STR	FT	FTRA
1	3	2	✓	✓	✓	✓		✓	✓

- False top drawer
- 2" rail between bottom two drawers 31-1/2" high only

Cabinet Code	Craftsman	Pioneer		Flush End (ea.)	Exposed End (ea.)	Doors			Drawer Fronts		
	4-sided	4-sided	Shelf*			Inset	1/2"	1-1/4"	Inset	1/2"	1-1/4"
VCR2431.5	\$175.00	\$145.00	—	\$7.50	\$4.75	1.3	1.5	1.7	1.7	2.2	2.5
VCR3031.5	180.00	150.00	—	7.50	4.75	1.6	1.9	2.1	2.2	2.8	3.2
VCR3331.5	185.00	155.00	—	7.50	4.75	1.8	2.1	2.4	2.4	3.1	3.5
VCR3631.5	195.00	165.00	—	7.50	4.75	2.0	2.3	2.6	2.7	3.4	3.8
VCR2434.5	180.00	150.00	—	8.25	5.25	1.5	1.8	2.0	1.9	2.4	2.7
VCR3034.5	185.00	155.00	—	8.25	5.25	1.9	2.2	2.5	2.5	3.1	3.5
VCR3334.5	190.00	160.00	—	8.25	5.25	2.1	2.4	2.7	2.8	3.5	3.8
VCR3634.5	200.00	170.00	—	8.25	5.25	2.4	2.7	2.9	3.1	3.8	4.2

VCR - Vanity Combination Right w/Butt Doors



D	DF	DB	EXT	EXP	FL	MI	STR	FT	FTRA
2	3	2	✓	✓	✓	✓		✓	✓

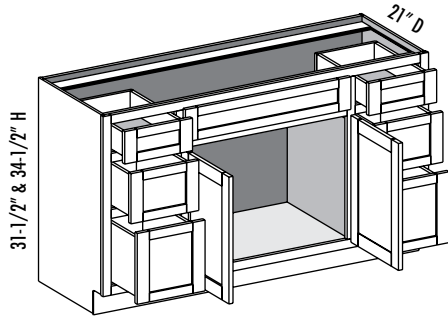
- False top drawer
- 2" rail between bottom two drawers 31-1/2" high only
- Doors hinged on center stile require 1/2" overlay hinges for 1-1/4" or 1-3/8" overlays

Cabinet Code	Craftsman	Pioneer		Flush End (ea.)	Exposed End (ea.)	Doors			Drawer Fronts		
	4-sided	4-sided	Shelf*			Inset	1/2"	1-1/4"	Inset	1/2"	1-1/4"
VCR4231.5BD	\$200.00	\$175.00	—	\$7.50	\$4.75	3.1	3.5	3.8	2.6	3.3	3.7
VCR4831.5BD	210.00	185.00	—	7.50	4.75	3.5	3.9	4.2	3.1	3.9	4.4
VCR4234.5BD	205.00	180.00	—	8.25	5.25	3.6	4.0	4.4	2.9	3.6	4.0
VCR4834.5BD	215.00	190.00	—	8.25	5.25	4.1	4.5	4.9	3.5	4.3	4.7

Options Key: D=Number of Doors DF=Number of Drawer Fronts DB=Drawer Box EXT=Extended Stiles EXP=Exposed End FL=Flush End MI=Matching Interior STR=Shaped Top Rail FT=Flush Toe FTRA=Flush Toe with Roman Arch Shape
*Wood shelf upgrade



VC6D - Vanity Combination Six Drawer w/Butt Doors

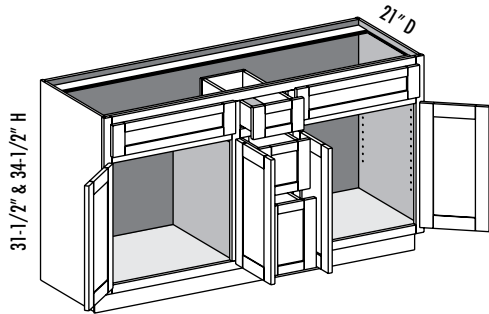


D	DF	DB	EXT	EXP	FL	MI	STR	FT	FTRA
2	7	6	✓	✓	✓	✓		✓	✓

- False top middle drawer
- 2" rail between bottom two drawers 31-1/2" high only
- Doors hinged on center stile require 1/2" overlay hinges for 1-1/4" or 1-3/8" overlays

Cabinet Code	Craftsman	Pioneer		Flush End (ea.)	Exposed End (ea.)	Doors			Drawer Fronts		
	4-sided	4-sided	Shelf*			Inset	1/2"	1-1/4"	Inset	1/2"	1-1/4"
VC6D4831.5BD	\$380.00	\$335.00	—	\$7.50	\$4.75	2.9	3.3	3.5	3.3	4.4	5.0
VC6D6031.5BD	390.00	345.00	—	7.50	4.75	3.7	4.1	4.3	4.3	5.6	6.3
VC6D4834.5BD	385.00	340.00	—	8.25	5.25	3.4	3.8	4.0	3.7	4.9	5.4
VC6D6034.5BD	395.00	350.00	—	8.25	5.25	4.3	4.7	5.0	4.9	6.3	6.9

VC3D - Vanity Combination Three Drawer w/Butt Doors

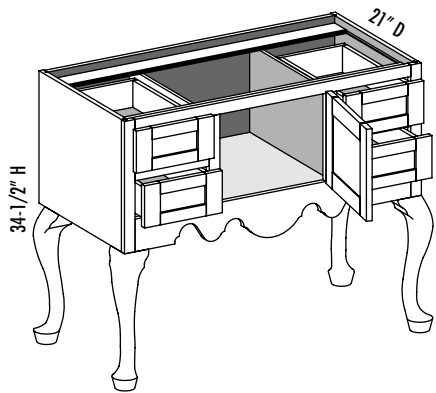


D	DF	DB	EXT	EXP	FL	MI	STR	FT	FTRA
4	5	3	✓	✓	✓	✓		✓	✓

- False top end drawers
- 2" rail between bottom two drawers 31-1/2" high only
- Doors hinged on center stile require 1/2" overlay hinges for 1-1/4" or 1-3/8" overlays

Cabinet Code	Craftsman	Pioneer		Flush End (ea.)	Exposed End (ea.)	Doors			Drawer Fronts		
	4-sided	4-sided	Shelf*			Inset	1/2"	1-1/4"	Inset	1/2"	1-1/4"
VC3D6031.5BD	\$270.00	\$235.00	—	\$7.50	\$4.75	5.5	6.2	6.8	2.7	3.6	3.9
VC3D6034.5BD	275.00	240.00	—	8.25	5.25	6.4	7.1	7.8	3.0	3.9	4.1

QAV - Queen Anne Vanity



D	DF	DB	EXT	EXP	FL	MI	STR	FT	FTRA
1	4	4			STD				

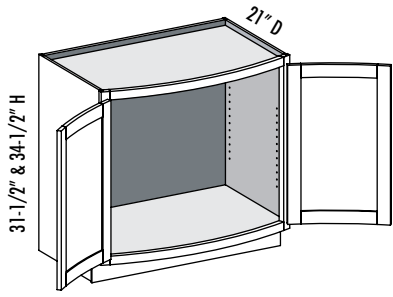
- Craftsman line only
- Bottom rail is 6" high
- Legs are 17-1/4" high
- Legs extend 1" past cabinet side
- Available in Cherry, Hard Maple and Red Oak only

Cabinet Code	Craftsman	Pioneer		Flush End (ea.)	Exposed End (ea.)	Doors			Drawer Fronts		
	4-sided	4-sided	Shelf*			Inset	1/2"	1-1/4"	Inset	1/2"	1-1/4"
QAV3634.5	\$510.00	—	—	STD	—	1.2	1.4	1.5	1.0	1.4	1.7
QAV3934.5	530.00	—	—	STD	—	1.2	1.4	1.5	1.2	1.7	1.9
QAV4234.5	550.00	—	—	STD	—	1.2	1.4	1.5	1.4	1.9	2.2

Options Key: D=Number of Doors DF=Number of Drawer Fronts DB=Drawer Box EXT=Extended Stiles EXP=Exposed End FL=Flush End MI=Matching Interior STR=Shaped Top Rail FT=Flush Toe FTRA=Flush Toe with Roman Arch Shape
*Wood shelf upgrade



BFV - Bow Front Vanity w/Butt Doors



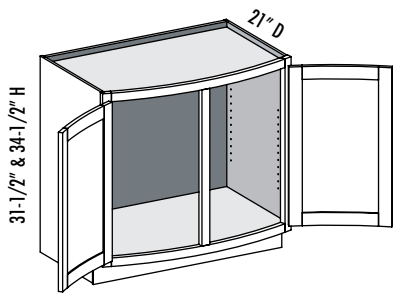
D	DF	DB	EXT	EXP	FL	MI	STR	FT	FTRA
2				✓	✓	✓			

- Craftsman line only
- 3" bow from sides to center of cabinet
- See Radius Products section of Custom Product Manual for door pricing information

Cabinet Width	Face of Front Frame Radius
24"	25-1/2"
30"	39"
36"	55-1/2"

Cabinet Code	Craftsman	Pioneer		Flush End (ea.)	Exposed End (ea.)	Doors			Drawer Fronts		
	4-sided	4-sided	Shelf*			Inset	1/2"	1-1/4"	Inset	1/2"	1-1/4"
BFV2431.5BD	\$300.00	—	—	\$7.50	\$4.75	25-1/2R	26-1/4R	26-1/4R	—	—	—
BFV3031.5BD	320.00	—	—	7.50	4.75	39R	39-3/4R	39-3/4R	—	—	—
BFV3631.5BD	340.00	—	—	7.50	4.75	55-1/2R	56-1/4R	56-1/4R	—	—	—
BFV2434.5BD	310.00	—	—	8.25	5.25	25-1/2R	26-1/4R	26-1/4R	—	—	—
BFV3034.5BD	330.00	—	—	8.25	5.25	39R	39-3/4R	39-3/4R	—	—	—
BFV3634.5BD	350.00	—	—	8.25	5.25	55-1/2R	56-1/4R	56-1/4R	—	—	—

BFV - Bow Front Vanity



D	DF	DB	EXT	EXP	FL	MI	STR	FT	FTRA
2				✓	✓	✓			

- Craftsman line only
- 3" bow from sides to center of cabinet
- See Radius Products section of Custom Product Manual for door pricing information

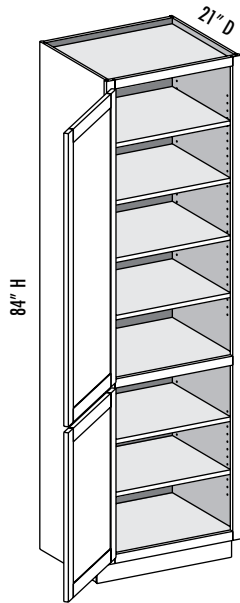
Cabinet Width	Face of Front Frame Radius
30"	39"
36"	55-1/2"

Cabinet Code	Craftsman	Pioneer		Flush End (ea.)	Exposed End (ea.)	Doors			Drawer Fronts		
	4-sided	4-sided	Shelf*			Inset	1/2"	1-1/4"	Inset	1/2"	1-1/4"
BFV3031.5	\$330.00	—	—	\$7.50	\$4.75	39R	39-3/4R	39-3/4R	—	—	—
BFV3631.5	350.00	—	—	7.50	4.75	55-1/2R	56-1/4R	56-1/4R	—	—	—
BFV3034.5	340.00	—	—	8.25	5.25	39R	39-3/4R	39-3/4R	—	—	—
BFV3634.5	360.00	—	—	8.25	5.25	55-1/2R	56-1/4R	56-1/4R	—	—	—

Options Key: D=Number of Doors DF=Number of Drawer Fronts DB=Drawer Box EXT=Extended Stiles EXP=Exposed End FL=Flush End MI=Matching Interior STR=Shaped Top Rail FT=Flush Toe FTRA=Flush Toe with Roman Arch Shape
 *Wood shelf upgrade



VLV - Vanity Linen Vanity Height

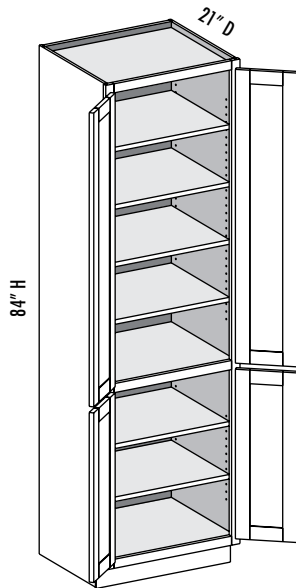


D	DF	DB	EXT	EXP	FL	MI	STR	FT	FTRA
2			✓	✓	✓	✓	✓	✓	✓

- Lower section aligns with 31-1/2" high vanity cabinets

Cabinet Code	Craftsman	Pioneer		Flush End (ea.)	Exposed End (ea.)	Doors			Drawer Fronts		
	4-sided	4-sided	Shelf*			Inset	1/2"	1-1/4"	Inset	1/2"	1-1/4"
VLV1884	\$240.00	\$160.00	\$36.00	\$20.00	\$7.75	7.7	8.6	9.6	—	—	—
VLV2184	250.00	170.00	36.00	20.00	7.75	9.3	10.2	11.3	—	—	—
VLV2484	260.00	180.00	48.00	20.00	7.75	10.9	11.8	12.9	—	—	—

VLV - Vanity Linen Vanity Height w/Butt Doors



D	DF	DB	EXT	EXP	FL	MI	STR	FT	FTRA
4			✓	✓	✓	✓	✓	✓	✓

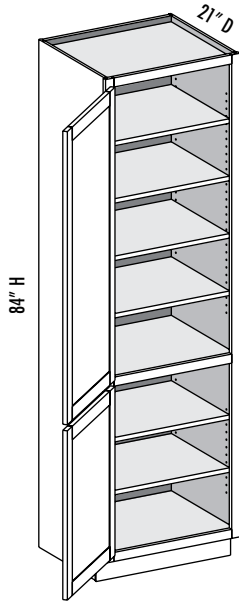
- Lower section aligns with 31-1/2" high vanity cabinets

Cabinet Code	Craftsman	Pioneer		Flush End (ea.)	Exposed End (ea.)	Doors			Drawer Fronts		
	4-sided	4-sided	Shelf*			Inset	1/2"	1-1/4"	Inset	1/2"	1-1/4"
VLV2484BD	\$260.00	\$180.00	\$48.00	\$20.00	\$7.75	10.9	11.8	12.8	—	—	—

Options Key: D=Number of Doors DF=Number of Drawer Fronts DB=Drawer Box EXT=Extended Stiles EXP=Exposed End FL=Flush End MI=Matching Interior STR=Shaped Top Rail FT=Flush Toe FTRA=Flush Toe with Roman Arch Shape
*Wood shelf upgrade



VLB - Vanity Linen Base Height

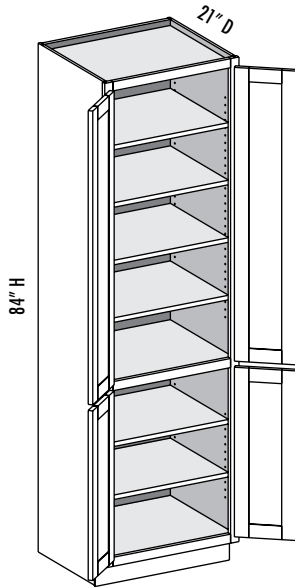


D	DF	DB	EXT	EXP	FL	MI	STR	FT	FTRA
2			✓	✓	✓	✓	✓	✓	✓

- Lower section aligns with 34-1/2" high vanity cabinets

Cabinet Code	Craftsman	Pioneer		Flush End (ea.)	Exposed End (ea.)	Doors			Drawer Fronts		
	4-sided	4-sided	Shelf*			Inset	1/2"	1-1/4"	Inset	1/2"	1-1/4"
VLB1884	\$240.00	\$160.00	\$36.00	\$20.00	\$7.75	7.7	8.6	9.6	—	—	—
VLB2184	250.00	170.00	36.00	20.00	7.75	9.3	10.2	11.3	—	—	—
VLB2484	260.00	180.00	48.00	20.00	7.75	10.9	11.8	12.9	—	—	—

VLB - Vanity Linen Base Height w/Butt Doors



D	DF	DB	EXT	EXP	FL	MI	STR	FT	FTRA
4			✓	✓	✓	✓	✓	✓	✓

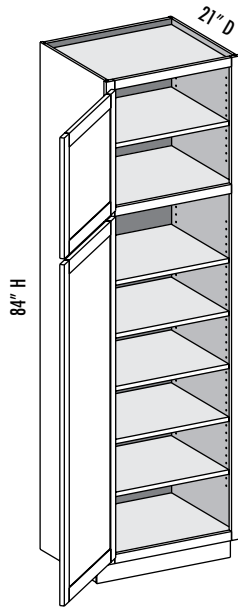
- Lower section aligns with 34-1/2" high vanity cabinets

Cabinet Code	Craftsman	Pioneer		Flush End (ea.)	Exposed End (ea.)	Doors			Drawer Fronts		
	4-sided	4-sided	Shelf*			Inset	1/2"	1-1/4"	Inset	1/2"	1-1/4"
VLB2484BD	\$260.00	\$180.00	\$48.00	\$20.00	\$7.75	10.8	11.8	12.8	—	—	—

Options Key: D=Number of Doors DF=Number of Drawer Fronts DB=Drawer Box EXT=Extended Stiles EXP=Exposed End FL=Flush End MI=Matching Interior STR=Shaped Top Rail FT=Flush Toe FTRA=Flush Toe with Roman Arch Shape
 *Wood shelf upgrade



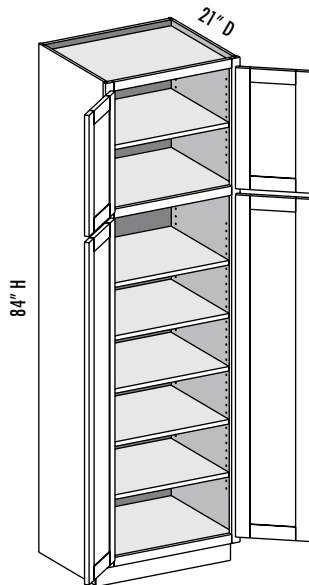
VUC - Vanity Utility



D	DF	DB	EXT	EXP	FL	MI	STR	FT	FTRA
2			✓	✓	✓	✓	✓	✓	✓

Cabinet Code	Craftsman	Pioneer		Flush End (ea.)	Exposed End (ea.)	Doors			Drawer Fronts		
	4-sided	4-sided	Shelf*			Inset	1/2"	1-1/4"	Inset	1/2"	1-1/4"
VUC1884	\$240.00	\$160.00	\$36.00	\$20.00	\$7.75	7.7	8.6	9.6	—	—	—
VUC2184	250.00	170.00	36.00	20.00	7.75	9.3	10.2	11.2	—	—	—
VUC2484	260.00	180.00	48.00	20.00	7.75	10.9	11.8	12.9	—	—	—

VUC - Vanity Utility w/Butt Doors



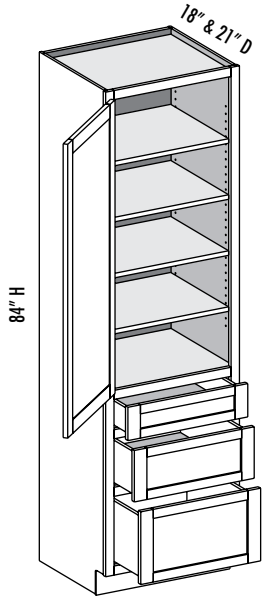
D	DF	DB	EXT	EXP	FL	MI	STR	FT	FTRA
4			✓	✓	✓	✓	✓	✓	✓

Cabinet Code	Craftsman	Pioneer		Flush End (ea.)	Exposed End (ea.)	Doors			Drawer Fronts		
	4-sided	4-sided	Shelf*			Inset	1/2"	1-1/4"	Inset	1/2"	1-1/4"
VUC2484BD	\$260.00	\$180.00	\$48.00	\$20.00	\$7.75	10.8	11.8	12.8	—	—	—

Options Key: D=Number of Doors DF=Number of Drawer Fronts DB=Drawer Box EXT=Extended Stiles EXP=Exposed End FL=Flush End MI=Matching Interior STR=Shaped Top Rail FT=Flush Toe FTRA=Flush Toe with Roman Arch Shape
*Wood shelf upgrade



VL3V - Vanity Linen Three Drawer Vanity Height

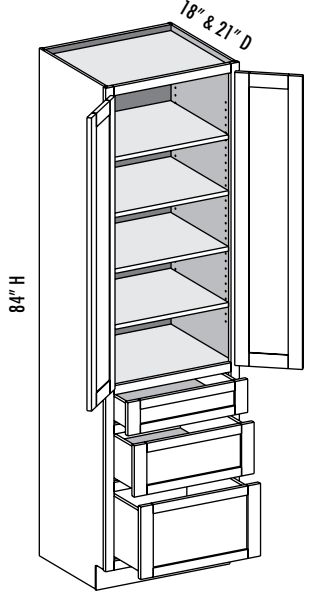


D	DF	DB	EXT	EXP	FL	MI	STR	FT	FTRA
1	3	3	✓	✓	✓	✓	✓	✓	✓

- 2" rail between bottom two drawers
- Lower section aligns with 31-1/2" high vanity cabinets

Cabinet Code	Craftsman	Pioneer		Flush End (ea.)	Exposed End (ea.)	Doors			Drawer Fronts		
	4-sided	4-sided	Shelf*			Inset	1/2"	1-1/4"	Inset	1/2"	1-1/4"
VL3V1884	\$350.00	\$270.00	\$24.00	\$20.00	\$7.75	5.2	5.8	6.3	2.1	2.7	3.2
VL3V2184	360.00	280.00	24.00	20.00	7.75	6.3	6.9	7.4	2.5	3.2	3.7
VL3V2484	370.00	290.00	32.00	20.00	7.75	7.3	7.9	8.5	3.0	3.7	4.2

VL3V - Vanity Linen Three Drawer Vanity Height w/Butt Doors



D	DF	DB	EXT	EXP	FL	MI	STR	FT	FTRA
2	3	3	✓	✓	✓	✓	✓	✓	✓

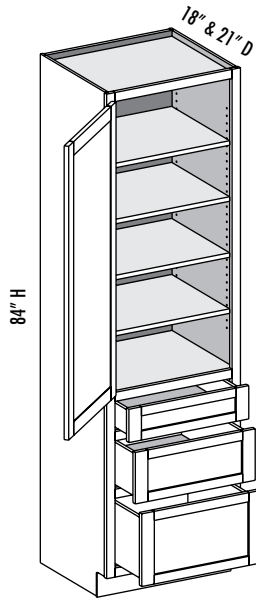
- 2" rail between bottom two drawers
- Lower section aligns with 31-1/2" high vanity cabinets

Cabinet Code	Craftsman	Pioneer		Flush End (ea.)	Exposed End (ea.)	Doors			Drawer Fronts		
	4-sided	4-sided	Shelf*			Inset	1/2"	1-1/4"	Inset	1/2"	1-1/4"
VL3V2484BD	\$370.00	\$290.00	\$32.00	\$20.00	\$7.75	7.3	7.9	8.5	3.0	3.7	4.2

Options Key: D=Number of Doors DF=Number of Drawer Fronts DB=Drawer Box EXT=Extended Stiles EXP=Exposed End FL=Flush End MI=Matching Interior STR=Shaped Top Rail FT=Flush Toe FTRA=Flush Toe with Roman Arch Shape
 *Wood shelf upgrade



VL3B - Vanity Linen Three Drawer Base Height

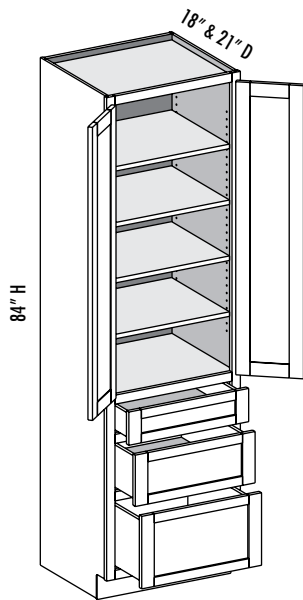


D	DF	DB	EXT	EXP	FL	MI	STR	FT	FTRA
1	3	3	✓	✓	✓	✓	✓	✓	✓

- Lower section aligns with 34-1/2" high vanity cabinets

Cabinet Code	Craftsman	Pioneer		Flush End (ea.)	Exposed End (ea.)	Doors			Drawer Fronts		
	4-sided	4-sided	Shelf*			Inset	1/2"	1-1/4"	Inset	1/2"	1-1/4"
VL3B1884	\$350.00	\$270.00	\$24.00	\$20.00	\$7.75	4.9	5.4	6.0	2.5	3.1	3.5
VL3B2184	360.00	280.00	24.00	20.00	7.75	5.9	6.5	7.0	3.0	3.6	4.1
VL3B2484	370.00	290.00	32.00	20.00	7.75	6.9	7.5	8.0	3.5	4.2	4.7

VL3B - Vanity Linen Three Drawer Base Height w/Butt Doors



D	DF	DB	EXT	EXP	FL	MI	STR	FT	FTRA
2	3	3	✓	✓	✓	✓	✓	✓	✓

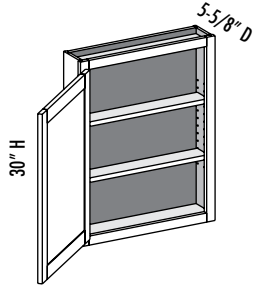
- Lower section aligns with 34-1/2" high vanity cabinets

Cabinet Code	Craftsman	Pioneer		Flush End (ea.)	Exposed End (ea.)	Doors			Drawer Fronts		
	4-sided	4-sided	Shelf*			Inset	1/2"	1-1/4"	Inset	1/2"	1-1/4"
VL3B2484BD	\$370.00	\$290.00	\$32.00	\$20.00	\$7.75	6.8	7.4	8.0	3.5	4.2	4.7

Options Key: D=Number of Doors DF=Number of Drawer Fronts DB=Drawer Box EXT=Extended Stiles EXP=Exposed End FL=Flush End MI=Matching Interior STR=Shaped Top Rail FT=Flush Toe FTRA=Flush Toe with Roman Arch Shape
*Wood shelf upgrade



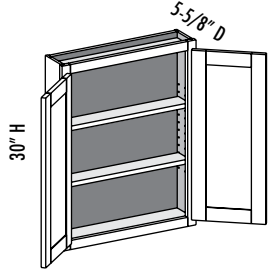
VW - Vanity Wall



D	DF	DB	EXT	EXP	FL	MI	STR	FT	FTRA
1			✓	STD	✓	✓	✓		

Cabinet Code	Craftsman	Pioneer		Flush End (ea.)	Exposed End (ea.)	Doors			Drawer Fronts		
	4-sided	4-sided	Shelf*			Inset	1/2"	1-1/4"	Inset	1/2"	1-1/4"
VW1230	\$65.00	\$60.00	\$4.00	\$2.00	STD	1.6	1.9	2.4	—	—	—
VW1530	68.00	63.00	4.00	2.00	STD	2.2	2.5	3.0	—	—	—
VW1830	71.00	66.00	4.00	2.00	STD	2.8	3.1	3.6	—	—	—
VW2430	74.00	69.00	4.00	2.00	STD	3.9	4.3	4.8	—	—	—

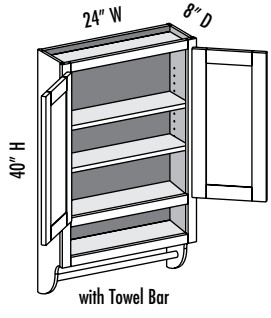
VW - Vanity Wall w/Butt Doors



D	DF	DB	EXT	EXP	FL	MI	STR	FT	FTRA
2			✓	STD	✓	✓	✓		

Cabinet Code	Craftsman	Pioneer		Flush End (ea.)	Exposed End (ea.)	Doors			Drawer Fronts		
	4-sided	4-sided	Shelf*			Inset	1/2"	1-1/4"	Inset	1/2"	1-1/4"
VW2430BD	\$74.00	\$69.00	\$4.00	\$2.00	STD	3.8	4.3	4.8	—	—	—

VW - Vanity Wall



D	DF	DB	EXT	EXP	FL	MI	STR	FT	FTRA
2			✓	STD	✓	STD	✓		

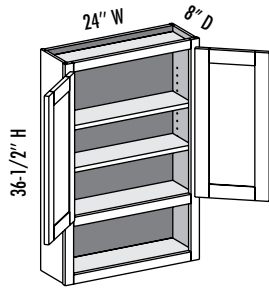
- Craftsman line only
- 5" high bottom opening

Cabinet Code	Craftsman	Pioneer		Flush End (ea.)	Exposed End (ea.)	Doors			Drawer Fronts		
	4-sided	4-sided	Shelf*			Inset	1/2"	1-1/4"	Inset	1/2"	1-1/4"
VW2440BD	\$120.00	—	—	\$3.50	STD	3.4	3.8	4.2	—	—	—

Options Key: D=Number of Doors DF=Number of Drawer Fronts DB=Drawer Box EXT=Extended Stiles EXP=Exposed End FL=Flush End MI=Matching Interior STR=Shaped Top Rail FT=Flush Toe FTRA=Flush Toe with Roman Arch Shape
 *Wood shelf upgrade



VWS - Vanity Wall Shelf w/Butt Doors

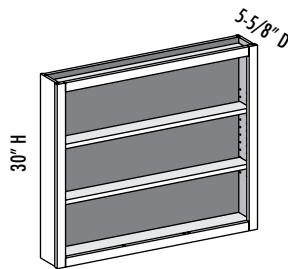


D	DF	DB	EXT	EXP	FL	MI	STR	FT	FTRA
2			✓	STD	✓	✓	✓		

- 8" high bottom opening
- Lower section does not match exterior specie unless matching interior is ordered

Cabinet Code	Craftsman	Pioneer		Flush End (ea.)	Exposed End (ea.)	Doors			Drawer Fronts		
	4-sided	4-sided	Shelf*			Inset	1/2"	1-1/4"	Inset	1/2"	1-1/4"
VWS2436.5BD	\$100.00	\$80.00	\$6.00	\$3.50	STD	3.4	3.8	4.2	—	—	—

VWT - Vanity Wall Tri-View



D	DF	DB	EXT	EXP	FL	MI	STR	FT	FTRA
			✓	STD	✓	✓			

- 3 mirrors per cabinet (not provided)
- Optional mirror hardware (part # 2100008)
- Front frame is drilled for hardware

Mirror Sizes (1/4" thick)				
Cabinet Width	Width		Height	
24"	6-5/16"	7-3/4"	6-5/16"	26-5/8"
30"	7-13/16"	10-3/4"	7-13/16"	26-5/8"
36"	10-13/16"	10-3/4"	10-13/16"	26-5/8"

Cabinet Code	Craftsman	Pioneer		Flush End (ea.)	Exposed End (ea.)	Doors			Drawer Fronts		
	4-sided	4-sided	Shelf*			Inset	1/2"	1-1/4"	Inset	1/2"	1-1/4"
VWT2430	\$75.00	\$70.00	\$4.00	\$2.00	STD	—	—	—	—	—	—
VWT3030	80.00	75.00	6.00	2.00	STD	—	—	—	—	—	—
VWT3630	90.00	85.00	6.00	2.00	STD	—	—	—	—	—	—

Options Key: D=Number of Doors DF=Number of Drawer Fronts DB=Drawer Box EXT=Extended Stiles EXP=Exposed End FL=Flush End MI=Matching Interior STR=Shaped Top Rail FT=Flush Toe FTRA=Flush Toe with Roman Arch Shape
*Wood shelf upgrade



VANITY CABINETS

Cabinet Systems