



# Cabinet Systems

## Options

Cabinetmaker's Choice, LLC (r-1169)  
P.O.Box729  
Newtown, CT 06470-0729

Neil Ratner - Phone: (203) 426-3247 Fax: (203) 270-9994 Email: sales1@cabinetmakerschoice.com

Chad Witwer - Phone: (717) 823-6204 Fax: (717) 427-1743 Email: sales2@cabinetmakerschoice.com

Jim Gamache - Phone: (203) 678-3015 Fax: (203) 702-5104 Email: sales3@cabinetmakerschoice.com

[www.cabinetmakerschoice.com](http://www.cabinetmakerschoice.com)

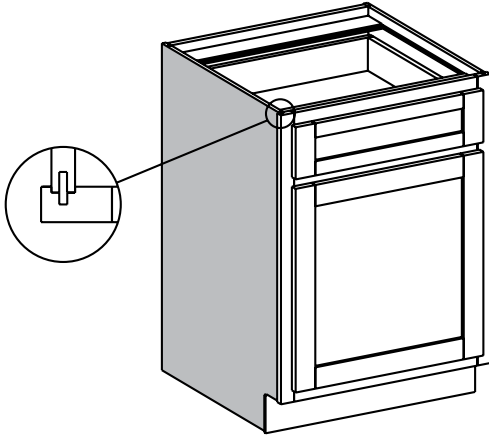
OPTIONS

Custom Products

© 2009 Conestoga Wood Specialties Corporation. All the information contained herein is thought to be accurate at the time of printing. However, no responsibility is assumed by Conestoga Wood Specialties Corporation. All rights reserved. Reproduction of any part of this publication without the express written permission of Conestoga Wood Specialties Corporation is a violation of applicable laws. Order forms may be reproduced without notice to Conestoga Wood Specialties Corporation provided they are used to order Conestoga Wood Specialties Corporation products. All prices and specifications are subject to change without notice. All pictures and graphics are for visual representation only. This publication supersedes all prior technical, policy and price data.



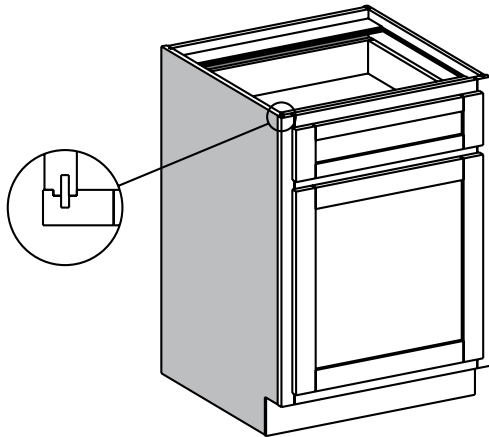
## Exposed Ends (EXP)



D	DF	DB	EXT	EXP	FL	MI	STR	FT	FTRA
				✓					

- Matching specie veneer on 1/2" thick cabinet sides
- Available in Craftsman and Pioneer lines
- Specify: "L" (Left), "R" (Right) or "B" (Both)
- 7/32" reveal from edge of front frame to surface of the side
- Soft Maple and Hard Maple cabinets have Hard Maple exposed ends
- Pricing: per cabinet, per side – use exposed end pricing column

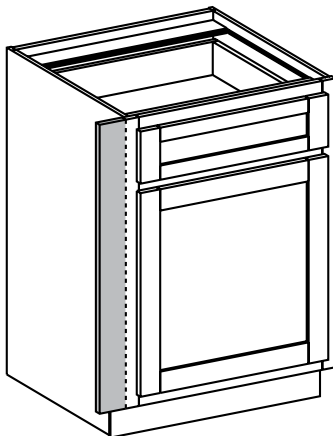
## Flush Ends (FL)



D	DF	DB	EXT	EXP	FL	MI	STR	FT	FTRA
					✓				

- Matching specie veneer on 11/16" thick cabinet sides
- Available in Craftsman line only
- Specify: "L" (Left), "R" (Right) or "B" (Both)
- 1/32" reveal from edge of front frame to surface of the side
- Soft Maple and Hard Maple cabinets have Hard Maple flush ends
- Pricing: per cabinet, per side – use flush end pricing column

## Extended Stiles (EXT)



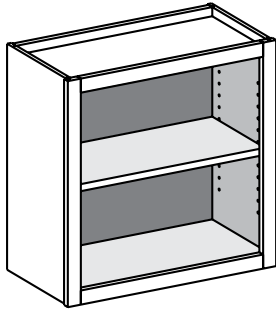
D	DF	DB	EXT	EXP	FL	MI	STR	FT	FTRA
			✓						

- Adds 3" to the left, right or both stiles as an alternative to loose filler strips
- Specify: "ESL" (Extended Stile Left), "ESR" (Extended Stile Right) or "ESB" (Extended Stile Both)
- Total stile width is 4-1/2"
- 4-1/2" stiles are one piece without glue lines
- Available on most wall, base, tall, vanity and home office units
- Pricing: \$6.00 per stile – cabinets up to 48" high  
\$20.00 per stile – cabinets over 48" high

**Options Key:** D=Number of Doors DF=Number of Drawer Fronts DB=Drawer Box EXT=Extended Stiles EXP=Exposed End FL=Flush End MI=Matching Interior STR=Shaped Top Rail FT=Flush Toe FTRA=Flush Toe with Roman Arch Shape  
\*Wood shelf upgrade



## Matching Interior (MI)

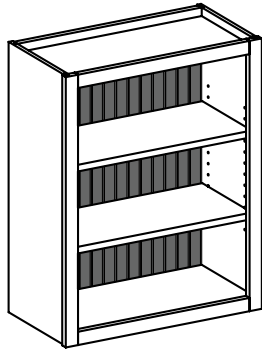


D	DF	DB	EXT	EXP	FL	MI	STR	FT	FTRA
						✓			

- Cabinets will have matching specie interior sides, tops, bottoms, shelves and backs
- Available on Craftsman line only
- Specify: "MI" (Matching Interior)
- Shelves are matching specie 11/16" plywood with veneer taped front edge
- Soft Maple and Hard Maple cabinets have Hard Maple veneered interior components
- Cabinets with matching interior standard do not have the matching interior upcharge included in the cabinet price
- Pricing: per cabinet – percentage upcharge per specie

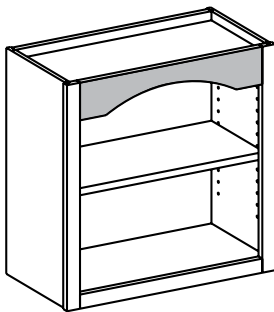
Matching Specie Interior	
Specie	Percent Upcharge
Cherry	30%
Maple	25%
Red Oak	15%

## Grooved Back



- 1/4" thick grooved back replaces standard back panel
- Groove spacing is 1-1/2" on center
- Available in Craftsman line with matching interior only
- Available on cabinets with 1/4" backs only
- Groove design does not match any CWS panel groove options
- Pricing: \$12.00 per back panel

## Shaped Top Rail Roman Arch (STRRA)



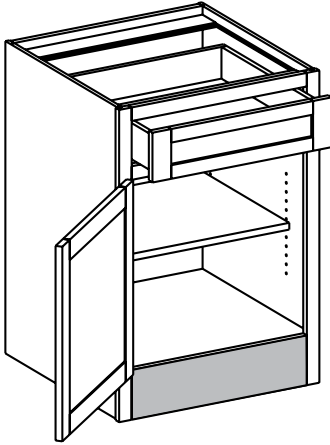
D	DF	DB	EXT	EXP	FL	MI	STR	FT	FTRA
							✓		

- Top rail height is 4"
- Roman arch shape is centered on top rail
- Specify: "STRRA" (Shaped Top Rail Roman Arch)
- Available on most wall, base and tall cabinets
- Minimum cabinet width is 15"
- Pricing: \$19.00 per cabinet

**Options Key:** D=Number of Doors DF=Number of Drawer Fronts DB=Drawer Box EXT=Extended Stiles EXP=Exposed End FL=Flush End  
 MI=Matching Interior STR=Shaped Top Rail FT=Flush Toe FTRA=Flush Toe with Roman Arch Shape  
 \*Wood shelf upgrade



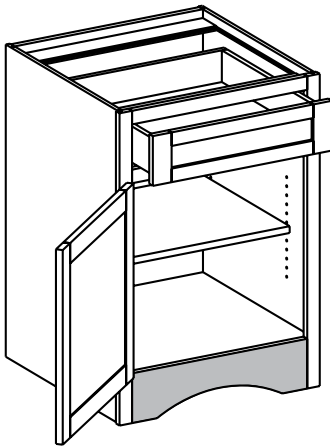
## Flush Toe (FT)



D	DF	DB	EXT	EXP	FL	MI	STR	FT	FTRA
								✓	

- Bottom rail height is 5-1/2"
- Specify: "FT" (Flush Toe)
- Cabinet side is manufactured without standard toe notch
- 96" tall cabinets do not use a toe platform
- Available on most base, tall and vanity cabinets
- Home office base cabinets have a 2-1/2" high flush toe standard
- Pricing: \$15.00 per cabinet

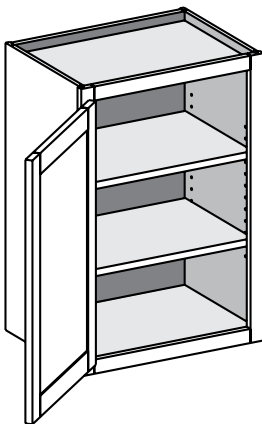
## Flush Toe with Roman Arch (FTRA)



D	DF	DB	EXT	EXP	FL	MI	STR	FT	FTRA
									✓

- Bottom rail height is 5-1/2"
- Roman arch shape is centered on bottom rail
- Specify: "FTRA" (Flush Toe Roman Arch)
- Cabinet side is manufactured without standard toe notch
- 96" tall cabinets do not use a toe platform
- Available on most base, tall and vanity cabinets
- Minimum cabinet width is 15"
- Pricing: \$20.00 per cabinet

## 15-1/2" Deep Cabinet

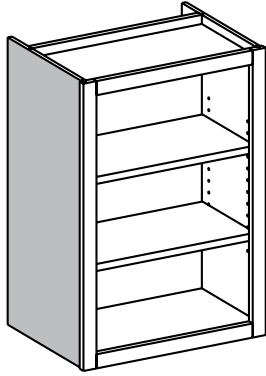


- 3" of additional interior space over standard depth wall cabinets
- Flush ends are available in the Craftsman line only
- Available on most standard wall cabinets except: wall deep, WAE, WCC, WCD, WCX, WMB and WPD
- 27" x 27" deep corner cabinets are available; see the Wall Cabinet section for availability and pricing
- Pricing: \$50.00 per cabinet

**Options Key:** D=Number of Doors DF=Number of Drawer Fronts DB=Drawer Box EXT=Extended Stiles EXP=Exposed End FL=Flush End  
MI=Matching Interior STR=Shaped Top Rail FT=Flush Toe FTRA=Flush Toe with Roman Arch Shape  
\*Wood shelf upgrade



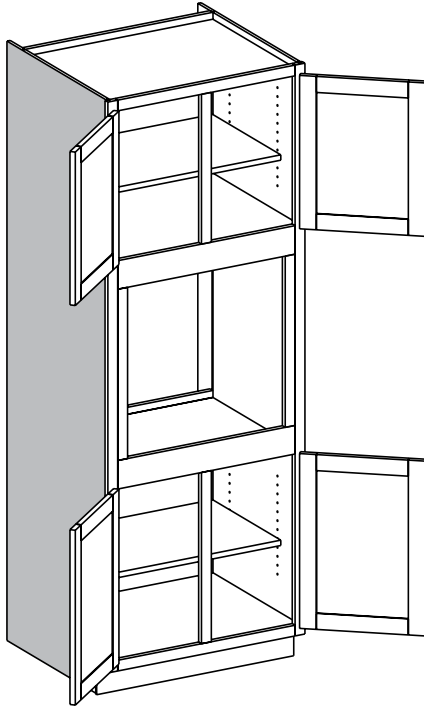
## 15-1/2" Deep Side



- 15-1/2" deep cabinet sides replace 12-1/2" deep standard sides
- Flush ends are available in the Craftsman line only
- Interior depth of cabinet and shelves do not increase
- Available on most 30", 36" and 42" high standard or corner wall cabinets
- Additional blocking behind side extensions may be required in some installation applications
- Pricing: per cabinet – see chart below

15-1/2" Deep Side Option		
Description	Flush	Exposed
Wall 30" high	\$3.50	\$2.50
Wall 36" high		
Wall 42" high		
WCA 48" high		
WCA 54" high		
WCA 60" high		

## 27" Deep Tall Appliance Cabinet Side



- 27" deep cabinet sides replace 24" deep standard sides
- Flush ends are available in the Craftsman line only
- Interior depth of cabinet and shelves do not increase
- Available on RTB, RTL, RTR, OS, ODA and ODB tall cabinets
- Additional blocking behind side extensions may be required in some installation applications
- Pricing: \$25.00 per cabinet

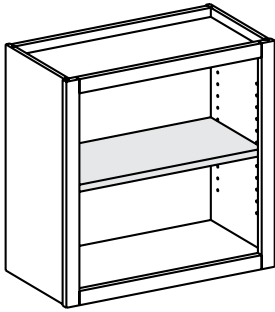
OPTIONS

Cabinet Systems

**Options Key:** D=Number of Doors DF=Number of Drawer Fronts DB=Drawer Box EXT=Extended Stiles EXP=Exposed End FL=Flush End  
 MI=Matching Interior STR=Shaped Top Rail FT=Flush Toe FTFA=Flush Toe with Roman Arch Shape  
 \*Wood shelf upgrade

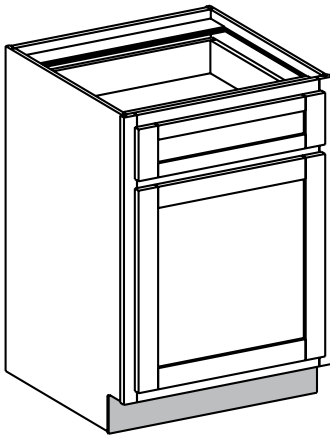


## Solid Wood Shelf Upgrade



- Replaces Pioneer line 3/4" thick particle board shelving with taped front edge with 1 1/16" thick, prefinished solid wood shelving with a bullnose on front edge
- Pricing: per cabinet – use shelf pricing column

## Toeboards



All cabinets are priced without toeboards

### Solid Wood Toeboard

- Select toeboard "Yes" option box on Cabinet Systems order form
- 4" high solid wood, 5/8" thick
- Does not match cabinet specie
- Toe boards will be finished when exterior finish is selected
- Pricing: 30" and under – \$4.00  
30-1/16" to 48" – \$6.00  
48-1/16" and longer – \$8.00

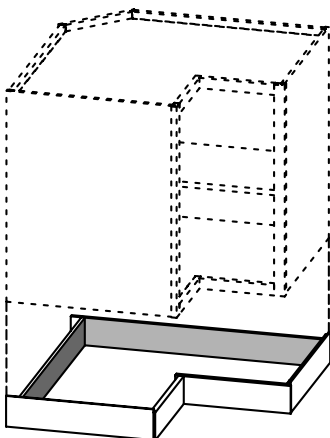
### Plywood Toeboard Strips

- 1/2" thick 4" x 96" plywood strips available in Cherry, Hard Maple or Red Oak
- Order as a loose part; specify specie

#### Plywood Toeboard Strips TE0114 - 4"x96"

Specie	Price
Cherry	\$14.50
Hard Maple	13.50
Red Oak	11.75

## Loose Toe Platform - 36" Base Corner Cabinets

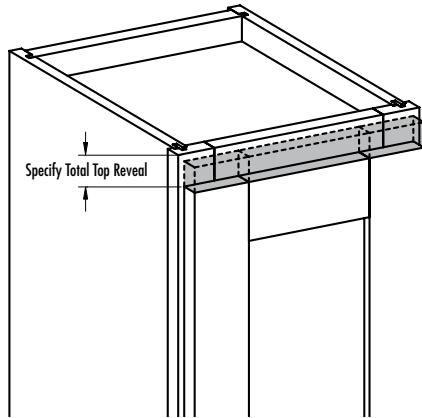


- Optional loose toe platform reduces cabinet height by 4" to allow entry through narrow doorways
- Available on 36" BCFD, BLS and BSC corner cabinets
- Cabinets with loose toe option must be ordered with solid wood toeboards
- \$20.00 per cabinet

Options Key: **D**=Number of Doors **DF**=Number of Drawer Fronts **DB**=Drawer Box **EXT**=Extended Stiles **EXP**=Exposed End **FL**=Flush End  
**MI**=Matching Interior **STR**=Shaped Top Rail **FT**=Flush Toe **FTRA**=Flush Toe with Roman Arch Shape  
 \*Wood shelf upgrade

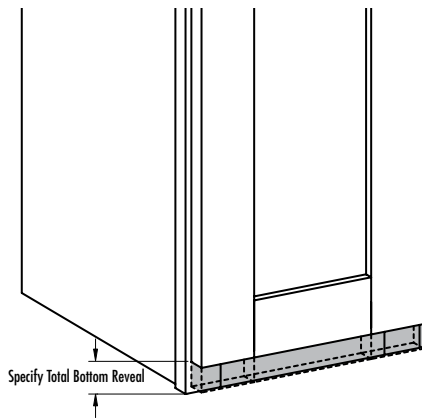


## Custom Top Reveal (CTR)



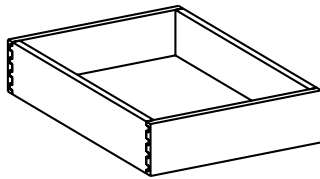
- Reduces door height to attach decorative mouldings directly to a cabinet face frame.
- Left, right and bottom reveal remain unchanged
- Available with 1-1/4" and 1-3/8" overlay only  
1-1/4" overlay – 1/2" top reveal is standard, CTR available – 9/16"- 1-1/4"  
1-3/8" overlay – 1/4" top reveal is standard, CTR available – 5/16"- 1-1/4"
- Reveal can be specified in 1/16" increments
- Specify: "CTR" followed by the total amount of top reveal required
- Maximum reveal is 1-1/4"
- Pricing: \$2.00 per cabinet
- See the Doors/Overlay Options section for standard overlay rules

## Custom Bottom Reveal (CBR)



- Reduces door height to attach light rail or decorative mouldings directly to the bottom rail of the cabinet face frame.
- Left, right and top reveal remain unchanged
- Available with 1-1/4" and 1-3/8" overlay only – max CBR 1-1/4"
- Reveal can be specified in 1/16" increments
- Specify: "CBR" followed by the total amount of bottom reveal required
- Maximum reveal is 1-1/4"
- Pricing: \$2.00 per cabinet
- See the Doors/Overlay Options section for standard overlay rules

## 4 – Sided Dovetail Drawer Boxes



- English dovetail construction
- Drawer sides and ends are 5/8" thick solid wood with 1/4" Birch plycore bottoms
- Drawer boxes are assembled and prefinished
- Drawer boxes can be ordered with bottom lip mount or undermount drawer slides and are packaged on a skid separate from cabinets
- Boxes will be notched and hook hole drilled accordingly, based on slide requirements. Appropriate upcharges apply
- Hard Maple, Soft Maple and Category 1 and 2 drawer boxes are available with Cabinet Systems orders; custom pricing and lead-times apply
- Pricing – use 4-sided pricing column for cabinets using Blum STANDARD 230 slides. Add custom upcharges and drawer slide upgrades as needed per box. See the Interior Storage section of the Custom Product Manual for additional drawer box lead-times, options and pricing

**Options Key:** D=Number of Doors DF=Number of Drawer Fronts DB=Drawer Box EXT=Extended Stiles EXP=Exposed End FL=Flush End  
MI=Matching Interior STR=Shaped Top Rail FT=Flush Toe FTFA=Flush Toe with Roman Arch Shape  
\*Wood shelf upgrade



## Drawer Slide Options

### Bottom Lip Mount Slides – STANDARD

**Blum** – Standard slide for 4-sided drawer boxes on base and vanity depth cabinets.  
**STANDARD 230** Not available with wall cabinets, POT's or Home Office cabinets.  
 1/2" bottom reveal is standard.

### Undermount Slides – Optional Upgrades

**Blum SOLO** – Optional slide for 4-sided drawer boxes on base and vanity depth cabinets.  
 3/4 extension epoxy coated with rear mount screw-in boot.  
 Not available with wall cabinets, POT's or Home Office cabinets.  
 1/2" bottom reveal and undermount notch required.  
 Upgrade price (including slides and hardware): \$6.00 per drawer

**Blum TANDEM** – Optional slide for 4-sided drawer boxes on base and vanity depth cabinets.  
**Plus BLUMOTION** Full extension zinc coated steel with rear mount screw-in bracket and integrated soft close.  
 Not available with wall cabinets, POT's or Home Office cabinets.  
 1/2" bottom reveal, undermount notch and hook hole required.  
 Blum TANDEM sizing without slides also available.  
 Upgrade price (including slides and hardware): \$28.00 per drawer

Installation jigs for SOLO (2100480A) and TANDEM (2100485A) rear brackets available from Conestoga:  
 \$25.00 per kit

### Side Mount Slides

**Ball Bearing Full Extension** – Standard slide for wall cabinets, POT's or Home Office cabinets. When placing an order using bottom lip mount or undermount slides, side mount slides will be substituted automatically for the appropriate cabinets.  
 Not available with base or vanity cabinets.  
 1/2" bottom reveal is standard.

### Ordering - With Cabinet

Select Blum STANDARD 230, Blum SOLO or Blum TANDEM Plus BLUMOTION from drawer boxes/drawer slides box on Cabinet Systems order form. Side mount slides will replace selected slides as appropriate for specific cabinets.

### Ordering - Loose Parts

Cabinet Depth	Blum STANDARD 230	Blum SOLO	Blum TANDEM Plus BLUMOTION	Ball Bearing Full Extension
Base 24" Deep	2100366A	2100369A	2100474A	2100027A
Vanity 21" Deep	2100367A	2100370A	2100475A	2100028A
Vanity 18" Deep	2100368A	2100371A	2100476A	–
Wall 12-1/2" Deep	–	–	–	2100069A

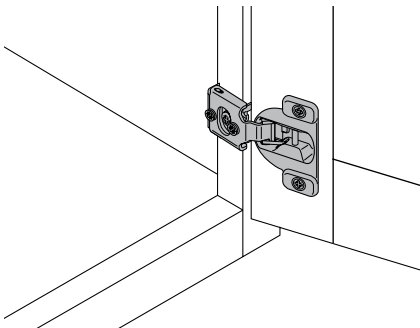


## Cabinet Hinge Options

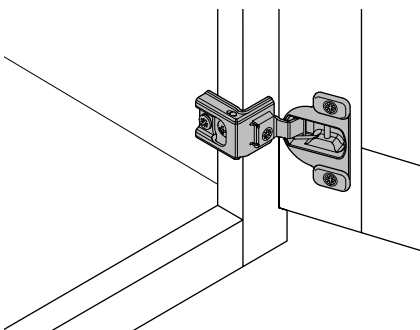
### Blum Program Overview

- One piece steel, nickel plated concealed hinges designed for use with 3/4" thick front frames
- Hinges packed in pairs or bulk pack and include mounting screws, installation instructions and warranty information
- Hinge option is only available on door styles and edge profiles which support concealed hinge boring
- Doors over 42"H will receive 3 hinges
- Specify hinging left or right for single door cabinets if hinge boring option is selected
- Blum hinges carry a limited lifetime warranty

### Overlay Hinges



**1/2" Overlay Hinge**  
Blum COMPACT 38N 105° opening angle



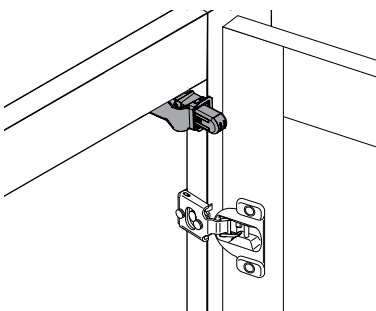
**1-1/4" and 1-3/8" Overlay Hinge**  
Blum COMPACT 39C 110° opening angle

- Available with 1/2", 1-1/4" and 1-3/8" overlays
- All hinges feature side, height and depth adjustment for fine-tuning door spacing with wraparound face frame mounting for ease of installation
- Blum COMPACT hinges require Pattern "A" cup only boring
- Note: When 1-1/4" or 1-3/8" overlay is ordered, extended stiles or loose filler strips may be required in applications where cabinets are installed next to a tall cabinet, corner cabinet or a wall
- Hinges available in pairs or bulk pack (50 hinges per pack, including mounting screws)

Blum Hinges (per pair)		
Part #	Overlay	Price
2100179A	1/2"	\$4.50
2100183A	1-1/4"	
2100184A	1-3/8"	

Blum Bulk Pack Hinges (50 hinges)		
Part #	Overlay	Price
2100185A	1/2"	\$98.00
2100186A	1-1/4"	
2100187A	1-3/8"	

### BLUMOTION



**BLUMOTION Device**

- Soft close device designed for framed cabinetry
- Available for use with Blum COMPACT 38N and 39C only
- BLUMOTION device is packaged with mounting screws and instructions
- One BLUMOTION device is required for most doors
- Adjustable close rate control
- To order, specify part #2100174A
- Pricing: \$4.50 per soft close device

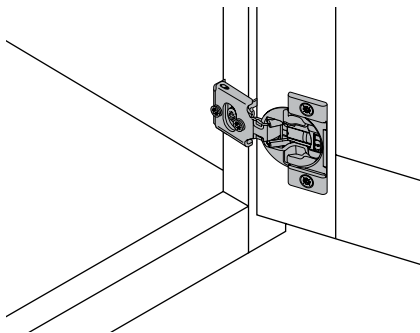


## Cabinet Hinge Options

### COMPACT BLUMOTION Hinge Program

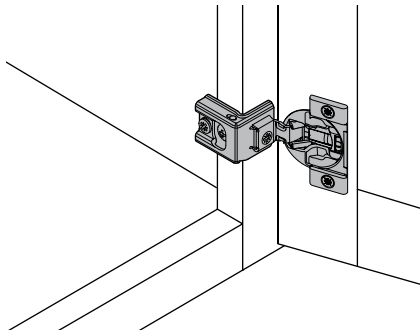
#### Hinges with Integrated Soft Close

- Available for 1/2", 1-1/4" and 1-3/8" overlays
- Soft close feature is integrated in the hinge cup itself
- Soft close function can be easily deactivated with a switch on individual hinges as needed based on the door size and weight
- All hinges feature side, height, and depth adjustment for fine tuning door spacing with wraparound face frame mounting for ease of installation
- Blum COMPACT BLUMOTION hinges require Pattern "A" cup only boring
- Note: When 1-1/4" or 1-3/8" overlay is ordered, extended stiles or loose filler strips may be required in applications where cabinets are installed next to a tall cabinet, corner cabinet or a wall
- Hinges available in pairs or bulk pack (50 hinges per pack, including mounting screws)



#### 1/2" Overlay Hinge

Blum COMPACT BLUMOTION 38N 105° opening angle



#### 1-1/4" and 1-3/8" Overlay Hinge

Blum COMPACT BLUMOTION 39C 110° opening angle

#### Compact BLUMOTION Hinges (per pair)

Part #	Overlay	Price
2100150A	1/2"	\$7.50
2100151A	1-1/4"	
2100152A	1-3/8"	

#### Compact BLUMOTION Bulk Pack Hinges (50 hinges)

Part #	Overlay	Price
2100153A	1/2"	\$165.00
2100154A	1-1/4"	
2100155A	1-3/8"	



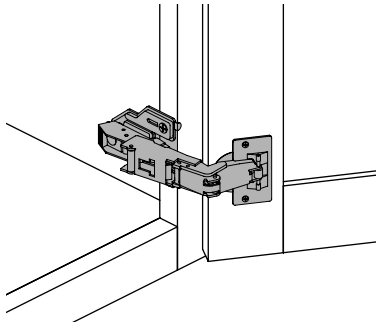
**OPTIONS**

**Cabinet Systems**



## Cabinet Hinge Options

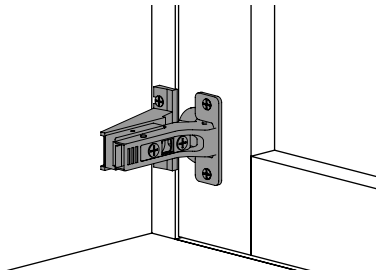
### Blum Specialty Hinges



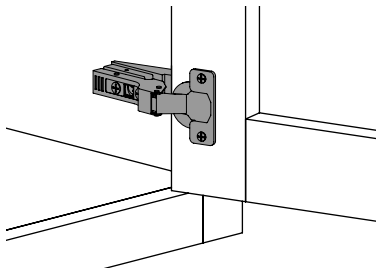
**Blum 71T6550 hinge**  
**Blum 175H6000 mounting plate**

#### 170° Hinges

- Provides full access to cabinet interiors with 170° opening angle
- Available with 1/2" overlay only. Will not work with inset door applications
- In 1-1/4" and 1-3/8" overlay applications, cabinets will have their doors sized as 1/2" overlay in width only
- Two-piece, clip style hinge with side, height and depth adjustment points
- 170° corner hinges require Pattern "B" cup only boring
- BLUMOTION soft close feature is not available
- Standard on WCP and BLS cabinets
- To order loose, specify part # 2100063A
- Pricing: \$14.50 per pair



(view of inside of cabinet)

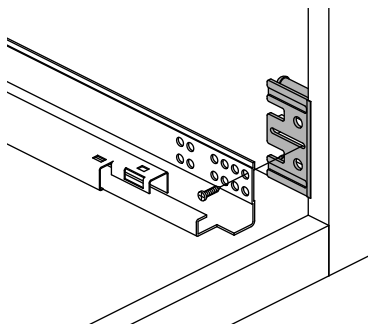


**Blum 71T5650 hinge**  
**Blum 175H5030.21 mounting plate**

#### Concealed Inset Hinges

- Hinge and mounting plate system for concealed inset applications with framed cabinetry
- 120° opening angle
- Hinge packs include screws and two adjustable door stops with bumpers
- Concealed inset hinges require Pattern "B" cup only boring
- Special hinges for 1" thick doors and front frames are supplied automatically on BEAL/R, BSC, BCFD, TCH, WCS, WCD and WCA cabinets
- Special hinges are also supplied automatically when 1" thick front frames and prefit doors are ordered on any cabinet
- Clip on BLUMOTION soft close devices are available and must be specified. Optional BLUMOTION soft close device is \$4.50 each. To order specify part # 2100065A. Note: clip on BLUMOTION soft close devices only work with concealed inset hinges
- Door and front frame thickness must match. Cabinets with 1" thick front frames will receive 1" thick doors
- To order loose, specify part # 2100064A
- Pricing: \$14.00 per pair

### Blum Specialty Hardware



#### TANDEM plus BLUMOTION Inset Mounting Brackets

- Drawer slide adjustable mounting plate system for inset applications with framed cabinetry
- Eliminates the need for supplemental blocking behind face frames to secure TANDEM slides
- Sold in pairs, bracket sets include installation screws and instructions
- Brackets afford up to 5/8" depth adjustment using standard TANDEM rear mounting brackets
- To order loose, specify part number # 2100029A
- Pricing \$7.95 per pair

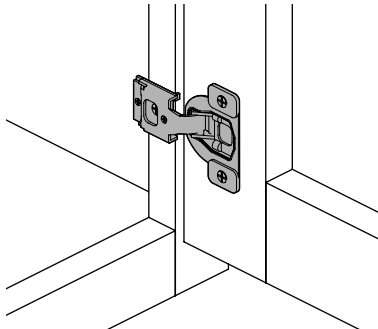


## Cabinet Hinge Options

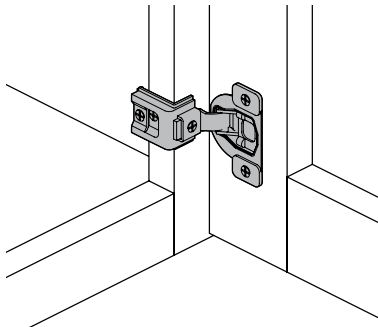
### Ferrari Program Overview

- One piece steel, self closing concealed hinges designed for use with 3/4" thick front frames
- Hinges packaged in pairs with mounting screws, installation instructions and warranty information.
- Hinge option is only available on door styles and edge profiles which support concealed hinge boring
- Doors over 42" H will receive 3 hinges
- Specify hinging left or right for single door cabinets
- Ferrari hinges carry a limited lifetime warranty

### Overlay Hinges



**Ferrari Compacta 1/2" Overlay Hinge**  
105° opening angle

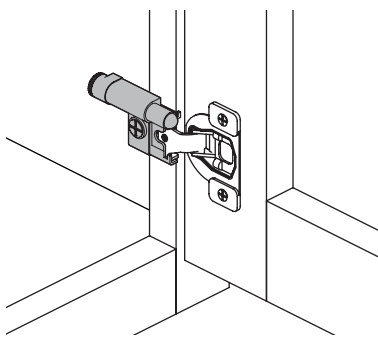


**Ferrari Compacta 1-1/4" and 1-3/8" Overlay Hinge**  
110° opening angle

- Available with 1/2", 1-1/4" or 1-3/8" overlays
- All hinges feature side, height and depth cam style adjustment for fine tuning door spacing
- Ferrari hinges require Pattern "A" cup only boring
- Note: When 1-1/4" or 1-3/8" overlay is ordered, extended stiles or loose filler strips may be required in applications where cabinets are installed next to a tall cabinet, corner cabinet or a wall

Ferrari Hinges		
Part #	Overlay	Price per pair
2100165A	1/2"	\$2.00
2100166A	1-1/4"	
2100167A	1-3/8"	

### Karma Soft Close Dampers for Doors



- Soft close damper designed for framed cabinetry
- Available for use with Ferrari Compacta hinges only
- One Karma damper is required for most doors, larger doors may require two or more dampers
- Karma soft close damper mounts directly over Ferrari hinge while adjustment attributes of hinge remain accessible
- Adjustable close rate control. Plunger contacts hinge cup, not back of door

Karma Dampers		
Part #	Description	Price each
2100168A	Karma for 1/2" overlay	\$3.50
2100169A	Karma for 1-1/4" & 1-3/8" overlay	