



# Cabinet Systems

## Accessories

Cabinetmaker's Choice, LLC (r-1169)  
P.O.Box729  
Newtown, CT 06470-0729

Neil Ratner - Phone: (203) 426-3247 Fax: (203) 270-9994 Email: sales1@cabinetmakerschoice.com

Chad Witwer - Phone: (717) 823-6204 Fax: (717) 427-1743 Email: sales2@cabinetmakerschoice.com

Jim Gamache - Phone: (203) 678-3015 Fax: (203) 702-5104 Email: sales3@cabinetmakerschoice.com

[www.cabinetmakerschoice.com](http://www.cabinetmakerschoice.com)

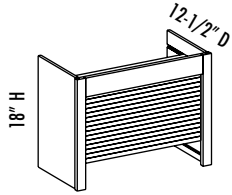
ACCESSORIES

Custom Products

© 2009 Conestoga Wood Specialties Corporation. All the information contained herein is thought to be accurate at the time of printing. However, no responsibility is assumed by Conestoga Wood Specialties Corporation. All rights reserved. Reproduction of any part of this publication without the express written permission of Conestoga Wood Specialties Corporation is a violation of applicable laws. Order forms may be reproduced without notice to Conestoga Wood Specialties Corporation provided they are used to order Conestoga Wood Specialties Corporation products. All prices and specifications are subject to change without notice. All pictures and graphics are for visual representation only. This publication supersedes all prior technical, policy and price data.



## AG - Appliance Garage

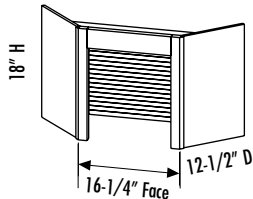


D	DF	DB	EXT	EXP	FL	MI	STR	FT	FTRA
			✓	STD	✓	✓			

- 3-1/8" high top rail
- Sliding tambour door is standard. Hinged door is optional
- Hard Maple and Soft Maple cabinets will have a Hard Maple tambour door

Cabinet Code	Craftsman	Pioneer		Flush End (ea.)	Exposed End (ea.)	Doors			Drawer Fronts		
	4-sided	4-sided	Shelf*			Inset	1/2"	1-1/4"	Inset	1/2"	1-1/4"
AG2418	\$90.00	\$85.00	—	\$2.50	STD	2.1	2.4	2.7	—	—	—
AG3018	100.00	95.00	—	2.50	STD	2.7	3.1	3.4	—	—	—

## CAG - Corner Appliance Garage

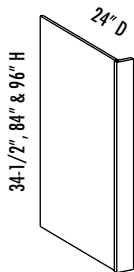


D	DF	DB	EXT	EXP	FL	MI	STR	FT	FTRA
				STD	✓	✓			

- 3-1/8" high top rail
- Sliding tambour door is standard. Hinged door is optional
- Hard Maple and Soft Maple cabinets will have a Hard Maple tambour door

Cabinet Code	Craftsman	Pioneer		Flush End (ea.)	Exposed End (ea.)	Doors			Drawer Fronts		
	4-sided	4-sided	Shelf*			Inset	1/2"	1-1/4"	Inset	1/2"	1-1/4"
CAG3318	\$90.00	\$85.00	—	\$2.50	STD	1.4	1.6	1.7	—	—	—

## DWEP/REP - Dishwasher/Refrigerator End Panel



D	DF	DB	EXT	EXP	FL	MI	STR	FT	FTRA
				STD	✓	STD			

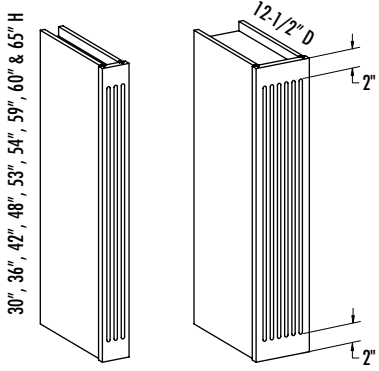
- Craftsman line only
- 3" stile
- Matching specie veneer on both sides

Cabinet Code	Price	Flush End (ea.)
DWEP2434.5	\$40.00	\$9.50
REP2484	80.00	22.75
REP2784	85.00	25.50
REP2496	90.00	26.00
REP2796	95.00	29.00

**Options Key:** D=Number of Doors DF=Number of Drawer Fronts DB=Drawer Box EXT=Extended Stiles EXP=Exposed End FL=Flush End MI=Matching Interior STR=Shaped Top Rail FT=Flush Toe FTRA=Flush Toe with Roman Arch Shape  
\*Wood shelf upgrade



### WFC - Wall Filler Columns



D	DF	DB	EXT	EXP	FL	MI	STR	FT	FTRA
				✓	✓				

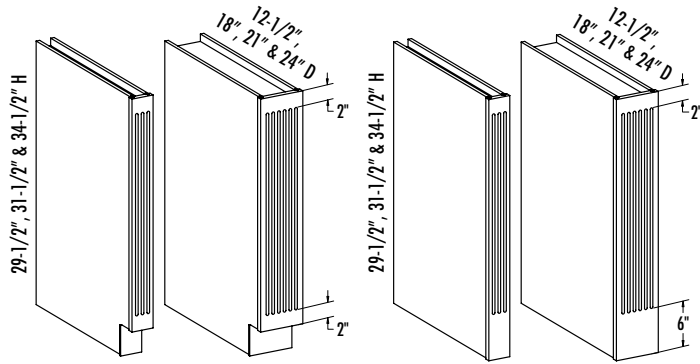
- Specify either tapered, rounded or no flutes
- 3" columns have three flutes; 6" columns have six flutes

Cabinet Code	Craftsman		Pioneer		Flush End (ea.)	Exposed End (ea.)	Doors			Drawer Fronts		
	4-sided	4-sided	4-sided	Shelf*			Inset	1/2"	1-1/4"	Inset	1/2"	1-1/4"
WFC0330	\$55.00	\$45.00	—	—	\$4.25	\$1.75	—	—	—	—	—	—
WFC0630	65.00	55.00	—	—	4.25	1.75	—	—	—	—	—	—
WFC0336	60.00	50.00	—	—	5.00	2.00	—	—	—	—	—	—
WFC0636	70.00	60.00	—	—	5.00	2.00	—	—	—	—	—	—
WFC0342	65.00	55.00	—	—	5.75	2.25	—	—	—	—	—	—
WFC0642	75.00	65.00	—	—	5.75	2.25	—	—	—	—	—	—
WFC0348	70.00	60.00	—	—	6.75	2.75	—	—	—	—	—	—
WFC0648	80.00	70.00	—	—	6.75	2.75	—	—	—	—	—	—
WFC0353	75.00	65.00	—	—	7.50	3.25	—	—	—	—	—	—
WFC0653	85.00	75.00	—	—	7.50	3.25	—	—	—	—	—	—
WFC0354	80.00	70.00	—	—	7.50	3.25	—	—	—	—	—	—
WFC0654	90.00	80.00	—	—	7.50	3.25	—	—	—	—	—	—
WFC0359	85.00	75.00	—	—	8.25	3.75	—	—	—	—	—	—
WFC0659	95.00	85.00	—	—	8.25	3.75	—	—	—	—	—	—
WFC0360	85.00	75.00	—	—	8.25	3.75	—	—	—	—	—	—
WFC0660	95.00	85.00	—	—	8.25	3.75	—	—	—	—	—	—
WFC0365	90.00	80.00	—	—	9.00	4.25	—	—	—	—	—	—
WFC0665	100.00	90.00	—	—	9.00	4.25	—	—	—	—	—	—

**Options Key:** D=Number of Doors DF=Number of Drawer Fronts DB=Drawer Box EXT=Extended Stiles EXP=Exposed End FL=Flush End MI=Matching Interior STR=Shaped Top Rail FT=Flush Toe FTRA=Flush Toe with Roman Arch Shape  
\*Wood shelf upgrade



## BFC - Base Filler Columns

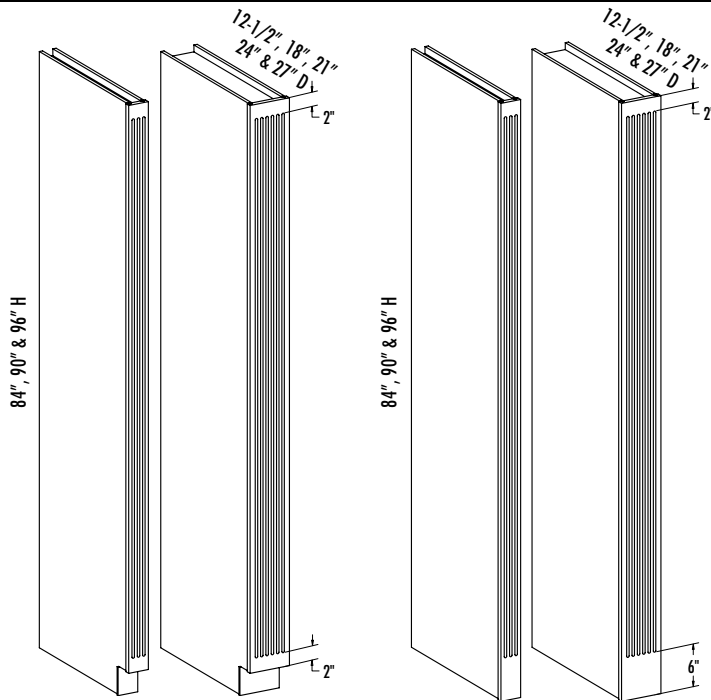


D	DF	DB	EXT	EXP	FL	MI	STR	FT	FTRA
				✓	✓			✓	

- Specify either tapered, rounded or no flutes
- 3" columns have three flutes; 6" columns have six flutes
- Base cabinets with flush toe option have a 6" lower margin
- Flush toe standard on 29-1/2" H – 2" lower margin
- 29-1/2" H available in 21" D & 24" D  
31-1/2" H available in 18" D & 21" D  
34-1/2" H available in 12-1/2" D, 18" D, 21" D & 24" D

Cabinet Code	Craftsman	Pioneer		Flush End (ea.)	Exposed End (ea.)	Doors			Drawer Fronts		
	4-sided	4-sided	Shelf*			Inset	1/2"	1-1/4"	Inset	1/2"	1-1/4"
BFC0329.5	\$65.00	\$55.00	—	\$8.00	\$5.00	—	—	—	—	—	—
BFC0629.5	75.00	65.00	—	8.00	5.00	—	—	—	—	—	—
BFC0331.5	65.00	55.00	—	7.50	4.75	—	—	—	—	—	—
BFC0631.5	75.00	65.00	—	7.50	4.75	—	—	—	—	—	—
BFC0334.5	70.00	60.00	—	9.50	6.00	—	—	—	—	—	—
BFC0634.5	80.00	70.00	—	9.50	6.00	—	—	—	—	—	—

## TFC - Tall Filler Columns



D	DF	DB	EXT	EXP	FL	MI	STR	FT	FTRA
				✓	✓			✓	

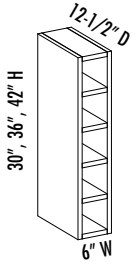
- Specify either tapered, rounded or no flutes
- 3" columns have three flutes; 6" columns have six flutes
- Tall cabinets with flush toe option have a 6" lower margin
- 24" depth is standard; specify optional depths on order form

Cabinet Code	Craftsman	Pioneer		Flush End (ea.)	Exposed End (ea.)	Doors			Drawer Fronts		
	4-sided	4-sided	Shelf*			Inset	1/2"	1-1/4"	Inset	1/2"	1-1/4"
TFC0384	\$140.00	\$130.00	—	\$22.75	\$9.00	—	—	—	—	—	—
TFC0684	155.00	145.00	—	22.75	9.00	—	—	—	—	—	—
TFC0390	150.00	140.00	—	24.50	9.50	—	—	—	—	—	—
TFC0690	165.00	155.00	—	24.50	9.50	—	—	—	—	—	—
TFC0396	160.00	150.00	—	26.00	10.00	—	—	—	—	—	—
TFC0696	175.00	165.00	—	26.00	10.00	—	—	—	—	—	—

**Options Key:** D=Number of Doors DF=Number of Drawer Fronts DB=Drawer Box EXT=Extended Stiles EXP=Exposed End FL=Flush End MI=Matching Interior STR=Shaped Top Rail FT=Flush Toe FTRA=Flush Toe with Roman Arch Shape  
\*Wood shelf upgrade



### WSU - Wine Storage Unit

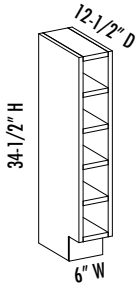


D	DF	DB	EXT	EXP	FL	MI	STR	FT	FTRA
				STD		STD			

- Craftsman line only
- 3/4" matching specie plywood with dowel construction
- Exposed edges are banded with matching specie veneer
- Hard Maple plywood for Hard and Soft Maple lines
- 30" high has 5 openings, 36" high has 6 openings, 42" high has 7 openings

Cabinet Code	Craftsman	Pioneer		Flush End (ea.)	Exposed End (ea.)	Doors			Drawer Fronts		
	4-sided	4-sided	Shelf*			Inset	1/2"	1-1/4"	Inset	1/2"	1-1/4"
WSU0630	\$125.00	—	—	—	—	—	—	—	—	—	—
WSU0636	135.00	—	—	—	—	—	—	—	—	—	—
WSU0642	145.00	—	—	—	—	—	—	—	—	—	—

### WSU - Wine Storage Unit

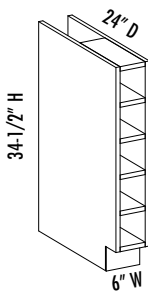


D	DF	DB	EXT	EXP	FL	MI	STR	FT	FTRA
				STD		STD			

- Craftsman line only
- 3/4" matching specie plywood with dowel construction
- Exposed edges are banded with matching specie veneer
- Hard Maple plywood for Hard and Soft Maple lines

Cabinet Code	Craftsman	Pioneer		Flush End (ea.)	Exposed End (ea.)	Doors			Drawer Fronts		
	4-sided	4-sided	Shelf*			Inset	1/2"	1-1/4"	Inset	1/2"	1-1/4"
WSU0634.5	\$135.00	—	—	—	—	—	—	—	—	—	—

### WSUD - Wine Storage Unit Deep



D	DF	DB	EXT	EXP	FL	MI	STR	FT	FTRA
				STD		STD			

- Craftsman line only
- 3/4" matching specie plywood with dowel construction
- Exposed edges are banded with matching specie veneer
- Hard Maple plywood for Hard and Soft Maple lines
- 24" deep sides with 12-1/4" interior depth

Cabinet Code	Craftsman	Pioneer		Flush End (ea.)	Exposed End (ea.)	Doors			Drawer Fronts		
	4-sided	4-sided	Shelf*			Inset	1/2"	1-1/4"	Inset	1/2"	1-1/4"
WSUD0634.5	\$150.00	—	—	—	—	—	—	—	—	—	—

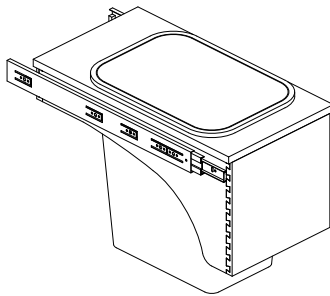
**Options Key:** D=Number of Doors DF=Number of Drawer Fronts DB=Drawer Box EXT=Extended Stiles EXP=Exposed End FL=Flush End MI=Matching Interior STR=Shaped Top Rail FT=Flush Toe FTRA=Flush Toe with Roman Arch Shape  
\*Wood shelf upgrade



## Trash Can Pull-Outs

- Designed to fit standard width 24" deep Cabinet Systems cabinets
- Available in Natural Birch and Hard Maple
- 11/16" Hard Maple plywood top
- Front height is 10" to accommodate door mounting hardware. Rear height is 3", depth is fixed at 21-3/4"
- Ball bearing full extension drawer slides are standard – no options
- Trash can pull-out size must match the width and depth of the cabinet it is to be installed in

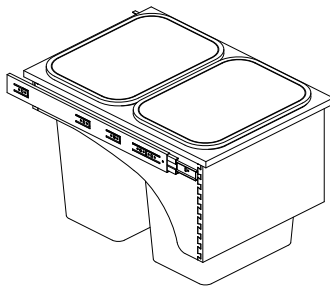
### TCPS - Trash Can Pull-Out Single



- Includes one Rubbermaid® 7-gallon, almond color waste can

Cabinet Code	Price
TCPS1524	\$130.00
TCPS1824	133.00
TCPS2124	136.00

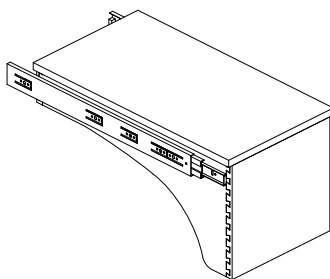
### TCPD - Trash Can Pull-Out Double



- Includes two Rubbermaid® 7-gallon, almond color waste cans

Cabinet Code	Price
TCPD2124	\$150.00
TCPD2424	153.00
TCPD2724	156.00
TCPD3024	159.00

### TCPN - Trash Can Pull-Out No Cut-Out

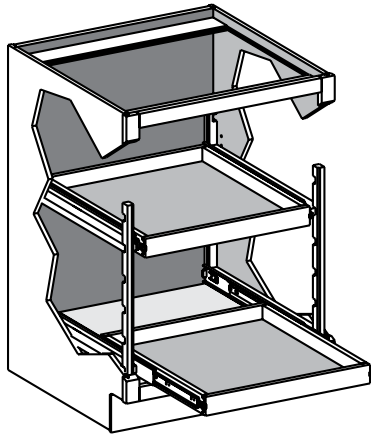


- Does not include waste can
- Top is shipped loose

Cabinet Code	Price
TCPN1524	\$120.00
TCPN1824	123.00
TCPN2124	126.00
TCPN2424	129.00
TCPN2724	132.00
TCPN3024	135.00



## Pull-Out Trays



- Provides tool free location change of pull out trays
- Adjustable pull-out system features unfinished Soft Maple components
- Boxes are 2-3/16" high and available for 21" or 24" deep base, vanity or tall cabinets
- Ball bearing full extension drawer slides are standard – no options
- All POT kits available sized for inset (1-1/2" less in drawer box width) to allow for door clearance with non-mortise hinges. Also can be used in cabinets adjacent to a wall or a tall cabinet where doors may not open fully for additional clearance. Add "I" to the end of the POT code for inset sizing. Example: POT21524-I
- Pricing: per POT system

Pull-Out Trays - Product Code Descriptions		
Code	Name	Description
POT1	Pull-Out Tray	For base or vanity cabinet with 1 pull-out tray per opening
POT2	Pull-Out Tray	For base or vanity cabinet with 2 pull-out trays per opening
POTT	Pull-Out Tray Tall	For tall cabinets with 4 pull-out trays
POTS	Pull-Out Tray Single	Individual pull-out tray: drawer cleats, slide, bumpers and one drawer box
BD	Butt Door Indicator	Codes ending in "BD" indicate pull-out trays designed for use with butt door cabinets

On the Cabinet Systems order form, enter the desired pull-out tray code number in the column "Conestoga Cabinet Code #". This pull-out tray must match the width, depth and door configuration of the cabinet it is to be installed in.

Example of pull-out tray code number **POT1|15|24**

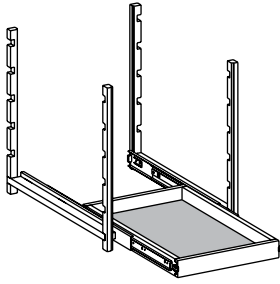
Pull-Out Tray  
 One drawer  
 For base or vanity cabinet with one pull-out tray per opening

For a 15" wide cabinet

For a 24" deep cabinet  
 A POT11521 would be a 21" deep unit



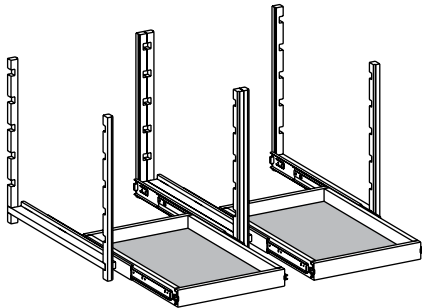
### POT1 - Pull-Out Trays



- Corner cleats can be trimmed to size when used with a shelf

24" Deep	Price	24" Deep w/Butt Doors	Price	21" Deep	Price	21" Deep w/Butt Doors	Price
POT11524	\$63.00	—	—	POT11521	\$60.00	—	—
POT11824	66.00	—	—	POT11821	63.00	—	—
POT12124	69.00	—	—	POT12121	66.00	—	—
POT12424	72.00	—	—	POT12421	69.00	—	—
—	—	POT12724BD	75.00	—	—	POT12721BD	72.00
—	—	POT13024BD	78.00	—	—	POT13021BD	75.00
—	—	POT13324BD	81.00	—	—	—	—
—	—	POT13624BD	84.00	—	—	POT13621BD	81.00
—	—	POT13924BD	87.00	—	—	—	—
—	—	POT14224BD	90.00	—	—	—	—

### POT1 - Pull-Out Trays

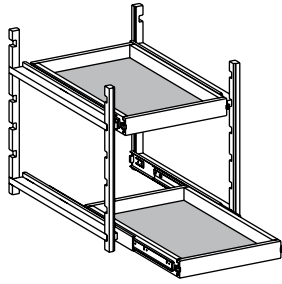


- Corner cleats can be trimmed to size when used with a shelf

24" Deep	Price	24" Deep w/Butt Doors	Price	21" Deep	Price	21" Deep w/Butt Doors	Price
POT13024	\$115.00	—	—	POT13021	\$112.00	—	—
POT13324	118.00	—	—	—	—	—	—
POT13624	121.00	—	—	POT13621	118.00	—	—
POT13924	124.00	—	—	—	—	—	—
POT14224	127.00	—	—	—	—	—	—
POT14524	130.00	—	—	—	—	—	—
POT14824	133.00	—	—	—	—	—	—



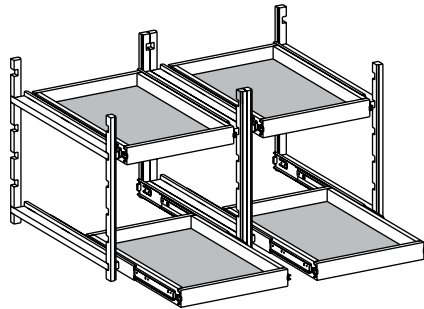
**POT2 - Pull-Out Trays**



• Corner cleats can be trimmed to size when used with a shelf

24" Deep	Price	24" Deep w/Butt Doors	Price	21" Deep	Price	21" Deep w/Butt Doors	Price
POT21524	\$108.00	—	—	POT21521	\$105.00	—	—
POT21824	111.00	—	—	POT21821	108.00	—	—
POT22124	114.00	—	—	POT22121	111.00	—	—
POT22424	117.00	—	—	POT22421	114.00	—	—
—	—	POT22724BD	120.00	—	—	POT22721BD	117.00
—	—	POT23024BD	123.00	—	—	POT23021BD	120.00
—	—	POT23324BD	127.00	—	—	—	—
—	—	POT23624BD	130.00	—	—	POT23621BD	126.00
—	—	POT23924BD	133.00	—	—	—	—
—	—	POT24224BD	137.00	—	—	—	—

**POT2 - Pull-Out Trays**

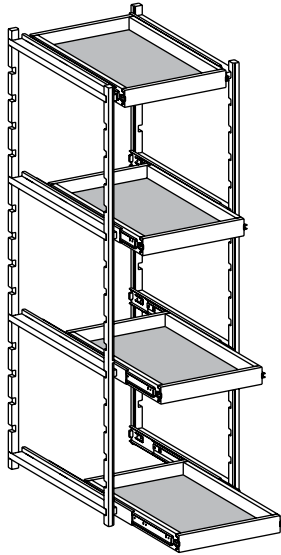


• Corner cleats can be trimmed to size when used with a shelf

24" Deep	Price	24" Deep w/Butt Doors	Price	21" Deep	Price	21" Deep w/Butt Doors	Price
POT23024	\$200.00	—	—	POT23021	\$185.00	—	—
POT23324	203.00	—	—	—	—	—	—
POT23624	206.00	—	—	POT23621	191.00	—	—
POT23924	209.00	—	—	—	—	—	—
POT24224	212.00	—	—	—	—	—	—
POT24524	215.00	—	—	—	—	—	—
POT24824	218.00	—	—	—	—	—	—



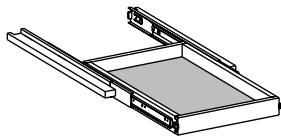
## POTT - Pull-Out Trays Tall



- Corner cleats can be trimmed to size when used with a shelf

24" Deep	Price	24" Deep w/Butt Doors	Price	21" Deep	Price	21" Deep w/Butt Doors	Price
POTT1524	\$219.00	—	—	—	—	—	—
POTT1824	222.00	—	—	POTT1821	220.00	—	—
POTT2124	225.00	—	—	POTT2121	223.00	—	—
POTT2424	228.00	—	—	POTT2421	226.00	—	—
—	—	POTT2724BD	\$231.00	—	—	—	—
—	—	POTT3024BD	234.00	—	—	—	—
—	—	POTT3324BD	237.00	—	—	—	—
—	—	POTT3624BD	240.00	—	—	—	—

## POTS - Pull-Out Trays Single Shelf



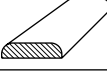

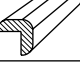



- No corner cleats included
- Designed to be used when additional trays are needed within a POT system

24" Deep	Price	24" Deep w/Butt Doors	Price	21" Deep	Price	21" Deep w/Butt Doors	Price
POTS1524	\$48.00	—	—	POTS1521	\$45.00	—	—
POTS1824	51.00	—	—	POTS1821	48.00	—	—
POTS2124	54.00	—	—	POTS2121	51.00	—	—
POTS2424	57.00	—	—	POTS2421	54.00	—	—
—	—	POTS2724BD	60.00	—	—	POTS2721BD	57.00
POTS3024	47.00	POTS3024BD	63.00	POTS3021	44.00	POTS3021BD	60.00
POTS3324	50.00	POTS3324BD	66.00	—	—	—	—
POTS3624	53.00	POTS3624BD	69.00	POTS3621	50.00	POTS3621BD	66.00
POTS3924	56.00	—	—	—	—	—	—
POTS4224	59.00	—	—	—	—	—	—
POTS4524	62.00	—	—	—	—	—	—
POTS4824	65.00	—	—	—	—	—	—



## Moulding Pricing and Availability (All pricing per 8 foot piece)

Design and Profile	Size	Cherry	Maple, Hard	Maple, Soft	Oak, Red
<b>R</b> Crown 6 	2-9/16"	\$37.90	\$30.00	\$21.80	\$18.95
<b>R</b> Crown with heel 801 	3-9/16"	76.10	65.50	48.05	41.65
<b>R</b> Light Rail B11 	1-1/2"	30.35	26.10	19.40	16.65
<b>R</b> Batten 13 	1-1/4"	20.60	18.10	12.80	11.10
<b>R</b> Scribe 14 	1-1/4"	20.60	18.10	12.80	11.10
<b>R</b> Cove 11 	3/4"	15.75	13.45	11.45	10.10
Outside Corner 12 	3/4"	15.75	13.45	11.45	10.10
<b>R</b> Colonial Base 10 	4-1/2"	61.90	50.55	33.80	31.75
Beaded Panel B09  	3-1/4"	43.05	37.45	26.85	23.75

1. Size is nominal. Actual 8 foot length is between 94" and 97"
2. Maximum stock order per specific profile and specie is 25 pieces  
Additional pieces take 7-10 days
3. When ordering dual-side profile products, specify "Face side A" or "Face side B"

### Key



Stock item  
4 day lead-time.



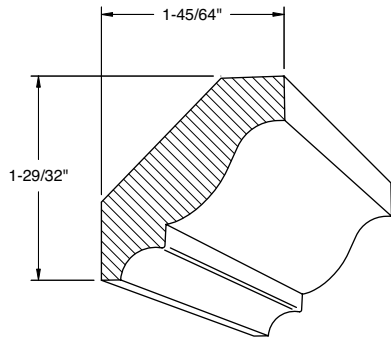
Custom item  
7 to 10 day lead-time.



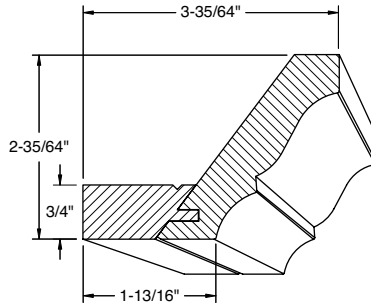
See Radius Products section  
of Custom Product Manual  
for additional information.

- See the Moulding section of the Custom Product Manual for additional moulding selections and pricing

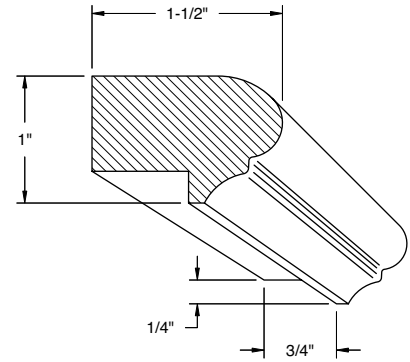
# Mouldings



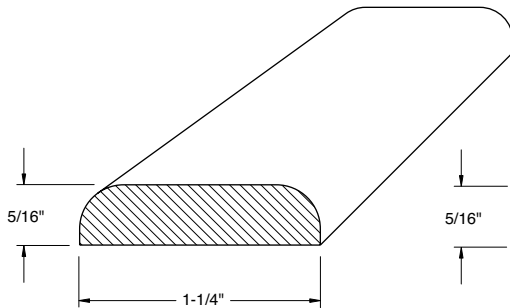
**Crown 6**



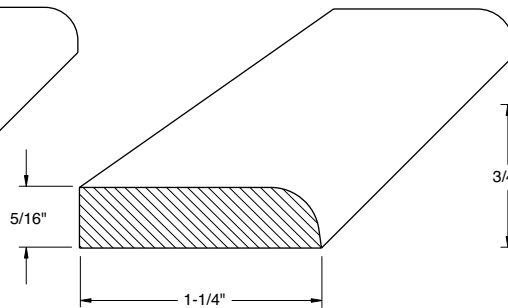
**Crown with heel 801**



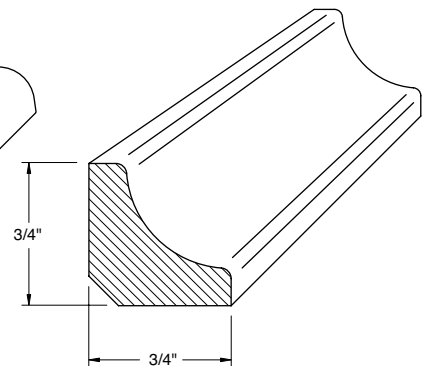
**Light Rail B11**



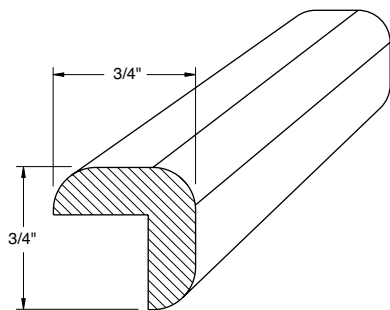
**Batten 13**



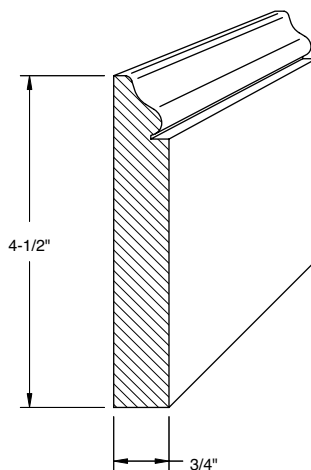
**Scribe 14**



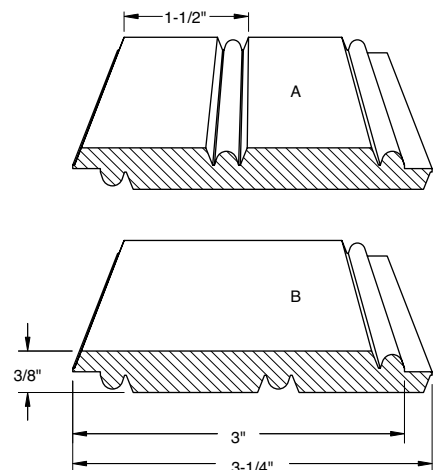
**Cove 11**



**Outside Corner 12**



**Colonial Base 10**



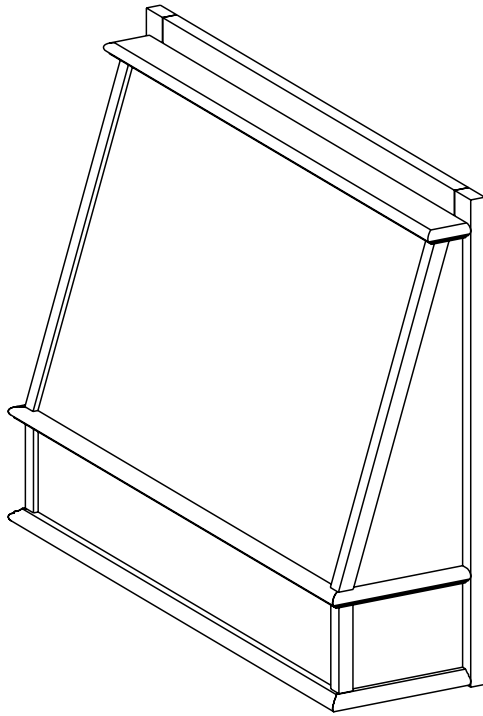
**Beaded Panel B09**

When ordering prefinished product, specify "Finish side A" or "Finish side B."  
When ordering dual side profile product, specify "Face side A" or "Face side B".

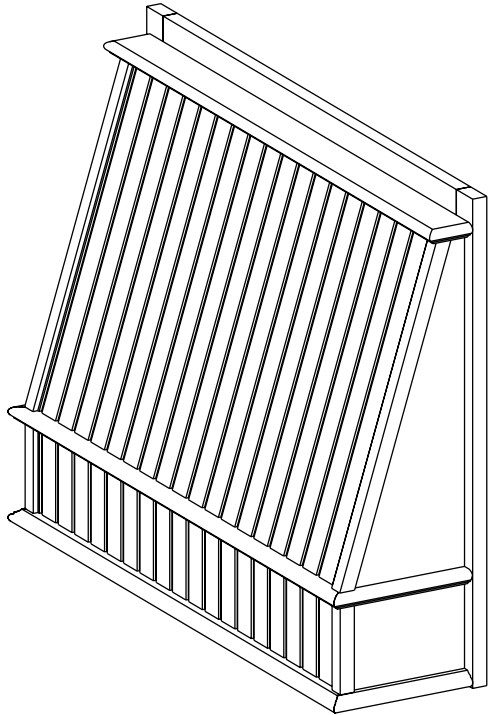
- Moulding details are not drawn to scale
- See the Moulding section of the Custom Product Manual for additional moulding selections and pricing



# Standard and Beaded Range Hoods



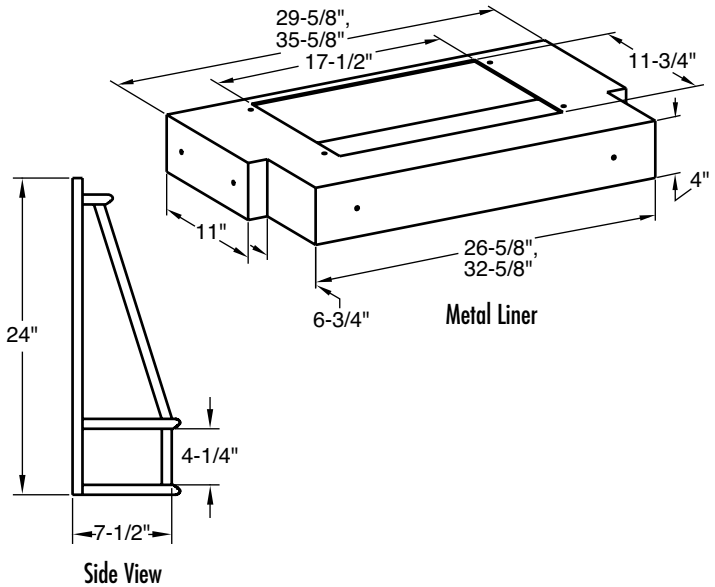
Standard Hood



Beaded Hood

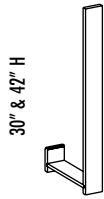
Specie	Unfinished Price	
	30"	36"
<b>Standard Hood</b>		
Cherry	\$345.00	\$375.00
Hard Maple	335.00	360.00
Red Oak	325.00	345.00
<b>Grooved Hood</b>		
Cherry	\$345.00	\$375.00
Hard Maple	335.00	360.00
Red Oak	325.00	345.00

- 3/4" thick solid wood sides.
- Lower mantle area measures 4-1/4" between mouldings and will accommodate many wood ornaments, appliques and decorative tile.
- Includes epoxy coated metal liner. Ventilation unit not included.
- Metal liner accommodates Fujioh ventilation systems. For information and to receive special Conestoga program pricing, contact Stanisci Design: (586)752-3368.
- Beaded hood has 5/16" wide beading, spaced 1-1/2" on center. Bead design does not match any CWS panel groove options.
- Available finished or unfinished. See the Solid Wood Finishing Program section of the Custom Product Manual for pricing and availability.
- Lead-time 4 days unfinished; add 5-6 days for finishing.





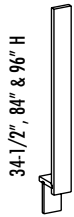
### FS - Filler Strip (Wall)



Cabinet Code	Price
FS0330	\$20.00
FS0630	25.00
FS0342	25.00
FS0642	35.00

- Solid wood front strip

### FS - Filler Strip (Base)



Cabinet Code	Price
FS0334.5	\$20.00
FS0634.5	25.00
FS0384	30.00
FS0684	40.00
FS0396	40.00
FS0696	50.00

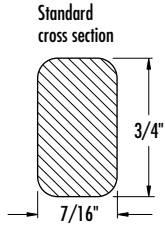
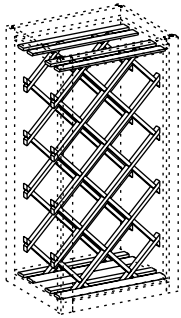
- Solid wood front strip

### Plywood Panel Program

- See Specialty Products section of the Custom Product Manual for thickness and specie options
- To calculate 1/8" thick end skin sizes for most cabinets: width = cabinet depth - 3/4", length = cabinet height



### WLK - Wall Lattice Kits



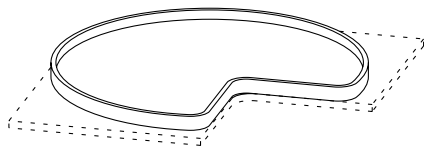
- Available in Cherry, Hard Maple and Red Oak only
- Kit includes 2 pieces of lattice and 8 pieces of retainer moulding to secure rack in place
- Order cabinet with matching specie interior
- See chart for size availability
- Available with standard lattice wine rack profile only

Kit Code	Sized For Cabinet	Number of Openings	Price	Kit Code	Sized for Cabinet	Number of Openings	Price
WLK3015	W3015	11	\$95.00	WLK1536	W1536	14	\$85.00
WLK3615	W3615	14	105.00	WLK1836	W1836	14	95.00
WLK3018	W3018	11	100.00	WLK2136	W2136	22	110.00
WLK3618	W3618	14	110.00	WLK1542	W1542	17	100.00
WLK1530	W1530	11	80.00	WLK1842	W1842	17	110.00
WLK1830	W1830	11	90.00	WLK2142	W2142	27	125.00
WLK2130	W2130	17	105.00	—	—	—	—

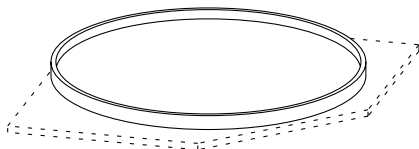
### Lazy Susan Shelves

- Wood susans are designed to be installed onto adjustable shelves or cabinet floors. Susan only. Pricing includes susan and mounting ring bearing only, cabinet shelves not included.
- Susans mount directly on surfaces - no center pole is required.
- Sold individually and packaged with a center mounted ring bearing.
- All susans are prefinished with clear topcoat; unfinished units are not available.

#### Standard Wood Lazy Susan Shelves



**Kidney**

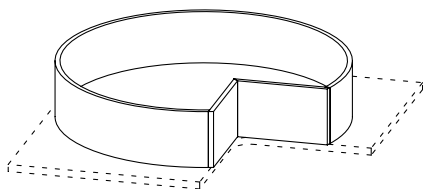


**Full Round**

- 1/2" thick Maple plywood with a 1-1/2" high laminated edge

Part No.	Sized for Cabinet	Description	Price
2100050A	BLS3634.5	32" Kidney-Wood Lazy Susan	\$69.50
2100051A	BCFD3634.5	32" Full Round-Wood Lazy Susan	68.00
2100052A	BLS3334.5	28" Kidney-Wood Lazy Susan	64.00
2100053A	WCA/WCS	18" Full Round-Wood Lazy Susan	49.50

#### Deep Wood Lazy Susan Shelf



**Kidney**

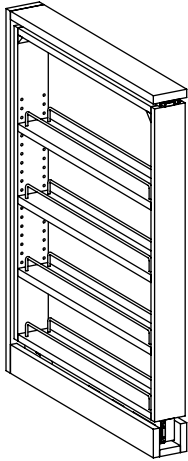
- 1/2" thick Maple plywood with a 6" high laminated edge
- Note: Shelf diameter, profile and contour do not match standard wood kidney listed above.

Part No.	Sized for Cabinet	Description	Price
2100032A	BLS3634.5	30" Kidney-Wood Lazy Susan	\$129.00
	BLS3334.5		



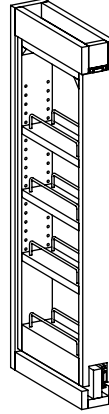
## Pull-Out Storage Units

### Base Units



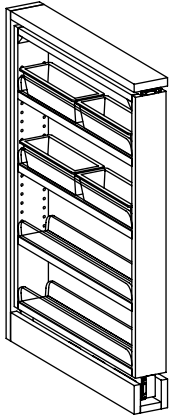
- All base storage units 23" deep and 30" high

### Wall Units



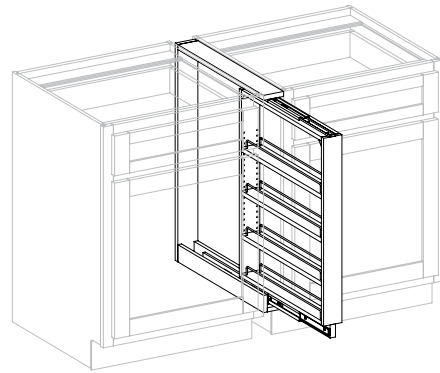
- Available in 30", 36" and 42" high
- All wall storage units 11-1/8" deep

### Vanity Units



- Available in 26" (vanity) and 30" (base) heights
- All vanity storage units 19" deep
- 26" high include 3 adjustable shelves and 4 plastic trays
- 30" high include 4 adjustable shelves and 6 plastic trays

### Pull-out Storage Unit Installed



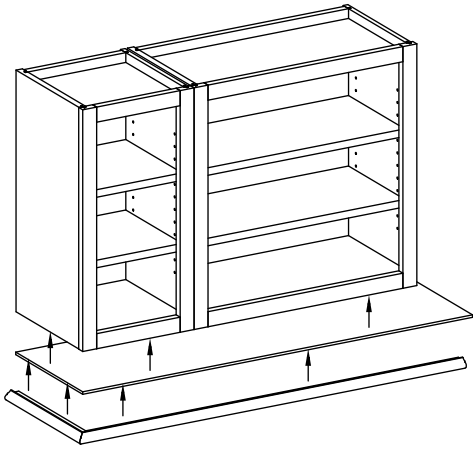
- Mount pull-out storage units to adjacent cabinets

- Pull-out storage units are designed for 3" or 6" spaces between cabinets and can be accessed from both sides
- Storage units are fully assembled and packaged with installation instructions
- Wall and base storage units include adjustable shelves with chrome rails and full-extension ball-bearing sides
- Vanity storage units include plastic accessory trays and shelf rails
- Prefinished natural birch only; unfinished units are not available
- Front fascia panels are not included and must be ordered separately

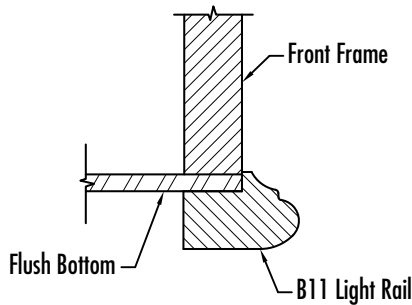
Part No.	Description	Price
2100750A	3" Base Pull-out Storage Unit	\$117.00
2100751A	6" Base Pull-out Storage Unit	138.00
2100752A	3" Wall Pull-out Storage Unit - 30" High	109.00
2100753A	6" Wall Pull-out Storage Unit - 30" High	132.00
2100754A	3" Wall Pull-out Storage Unit - 36" High	115.00
2100755A	6" Wall Pull-out Storage Unit - 36" High	140.00
2100756A	3" Wall Pull-out Storage Unit - 42" High	121.00
2100757A	6" Wall Pull-out Storage Unit - 42" High	144.00
2100758A	3" Vanity Pull-out Storage Unit - Vanity Height	176.00
2100759A	6" Vanity Pull-out Storage Unit - Vanity Height	208.00
2100760A	3" Vanity Pull-out Storage Unit - Base Height	223.00
2100761A	6" Vanity Pull-out Storage Unit - Base Height	262.00



## Finished Bottom Panels for Wall Cabinets



- 1/4" plywood strips in Cherry, Hard Maple and Red Oak are available in common wall depths x 96" long
- Diagonal corner wall panels are available for WCS and WCD cabinets
- When attached to the underside of wall cabinets, these panels provide flush finished bottoms
- Use B11 light rail to cover exposed plywood edges
- For best results attaching B11 in end of run applications, order flush ends (Craftsman Line Only)



Panel Size/Design	Template No.	Cherry	Hard Maple	Red Oak
12-1/2" x 96"	TB5009	\$32.00	\$29.00	\$24.00
15-1/2" x 96"		39.00	36.00	31.00
18" x 96"		45.00	42.00	37.00
21" x 96"		51.00	48.00	43.00
24" x 96"		58.00	55.00	50.00
Corner panel 24" x 24"	TB5010	18.00	17.00	15.00
Corner panel 27" x 27"		22.00	20.00	18.00

### 8 Foot B11 Light Rail for Finished Bottom Panels

Cherry	Hard Maple	Red Oak
\$30.35	\$26.10	\$16.65