



Cabinet Systems

Custom Size Cabinets

Cabinetmaker's Choice, LLC (r-1169)
P.O.Box729
Newtown, CT 06470-0729

Neil Ratner - Phone: (203) 426-3247 Fax: (203) 270-9994 Email: sales1@cabinetmakerschoice.com

Chad Witwer - Phone: (717) 823-6204 Fax: (717) 427-1743 Email: sales2@cabinetmakerschoice.com

Jim Gamache - Phone: (203) 678-3015 Fax: (203) 702-5104 Email: sales3@cabinetmakerschoice.com

www.cabinetmakerschoice.com

CUSTOMSIZE CABINETS

Custom Products

© 2009 Conestoga Wood Specialties Corporation. All the information contained herein is thought to be accurate at the time of printing. However, no responsibility is assumed by Conestoga Wood Specialties Corporation. All rights reserved. Reproduction of any part of this publication without the express written permission of Conestoga Wood Specialties Corporation is a violation of applicable laws. Order forms may be reproduced without notice to Conestoga Wood Specialties Corporation provided they are used to order Conestoga Wood Specialties Corporation products. All prices and specifications are subject to change without notice. All pictures and graphics are for visual representation only. This publication supersedes all prior technical, policy and price data.



Custom Size Cabinet Program

Conestoga's custom size cabinet program allows customers to simplify their manufacturing and ordering processes by eliminating the need to modify stock size cabinets and parts to achieve non-standard sizes. Ordering custom size cabinets reduces the amount of time spent calculating part sizes, eliminates additional machining of parts, reduces the chances for error throughout the entire process and allows customers to order a complete cabinet – including doors and drawer boxes – with minimal effort.

- Most custom size cabinets are available with widths, heights and depths in 1/16" increments. Cabinets with drawer boxes are limited to 18", 21" and 24" depths to correspond with standard drawer slide hardware. Standard Cabinet Systems options are available with custom sized cabinets with some exceptions. See individual cabinet offering for specific size ranges and options per cabinet.
- Door and drawer front overlays will follow standard overlay rules as outlined in the Doors/Overlay Options section.
- Cabinets less than 24" wide with one opening will receive one door. Cabinets over 27" wide with one opening will receive 2 doors. Cabinets in widths from 24" to 27" with one opening are available with either single or butt doors and must be specified.
- Shelf depths in custom cabinets typically will be 2" less than the overall cabinet depth.
Exceptions include:
 - Cabinets from 20-1/16" to 24" deep have 18" deep shelves.
 - Cabinets from 24-1/16" to 27" deep have 22" deep shelves.
- When ordering custom sized cabinets, the corresponding custom sized cabinet code must be entered on the Cabinet Systems order form along with the width, height and depth of the cabinet. Do not order using standard cabinet nomenclature and add a note to adjust to a custom size.

Ordering Notes				
Unexposed Ends will be assumed if Exposed or Flush Ends are not indicated. 11/16" Flush Ends are standard with exposed material. Flush Ends available with Craftsman Series only. When ordering Exposed or Flush Ends, please specify L=Left, R=Right, B=Both.				
Qty	Cabinet Code #	Mark Option L, R or B		Special Instructions
		1/2" Exposed	11/16" Flush	
1	CSBASE		L	17-1/4W x 34H x 24D

Pricing Information

Custom size cabinet pricing is calculated by using a base price plus a lineal inch multiplier per cabinet with add-on options and specie multipliers applied to arrive at the total cabinet cost per order. All cabinet related options are subject to the specie multiplier. Each custom sized cabinet page lists the base prices and lineal inch multiplier per cabinet as well as prices for the wood shelf upgrade, flush ends and exposed ends. Doors and drawer fronts are priced using the Custom door pricing structure of design plus material.

To determine the cost of the cabinetry, select the cabinet configuration to be priced. Locate the appropriate base price and linear multiplier for that item, based on the cabinet size and line. Multiply the lineal inch multiplier by the width of the cabinet and add the base price. Add in any options and multiply the total by the specie multiplier to determine the price of the cabinet.

Options Key: D=Number of Doors DF=Number of Drawer Fronts DB=Drawer Box EXT=Extended Stiles EXP=Exposed End FL=Flush End MI=Matching Interior STR=Shaped Top Rail FT=Flush Toe FTRA=Flush Toe with Roman Arch Shape *Wood shelf upgrade

Pricing Example

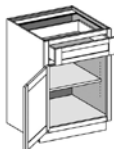
Custom Base Cabinet (CSBASE) 17-1/4"W x 34"H x 24"D in Craftsman Cherry with toeboard and flush end left with assembled and finished drawer box.

Cabinet Pricing

Step 1: Select the base price and lineal inch multiplier based on cabinet line and size.

CSBASE 34"H

CSBASE - Custom Size Base



Size ranges
Width: 12" - 36"
Height: 31-1/2" - 42"
Depth: 18", 21", 24"

D	DF	DB	EXT	EXP	FL	MI	STR	FT	FTRA
1,2	1	1	✓	✓	✓	✓	✓	✓	✓

- Available with 1 or 2 doors
Up to 24" receives 1 door
24" - 27" select single or butt door
Over 27" butt door only
- When height changes, lower opening height changes. Drawer opening height fixed at 5"
- Under 15" wide not available with FTRA

Cabinet Height	Craftsman		Pioneer			Flush End (each)	Exposed End (each)	Number of Shelves
	4-sided Base Price	Lineal Inch Multiplier	4-sided Base price	Lineal Inch Multiplier	Wood Shelf (per inch)			
31-1/2" - 34-1/2"	\$128.00	2.2	\$115.00	1.4	.6	\$7.50	\$4.70	1
34-9/16" - 42"	142.00	2.3	124.00	1.5	.6	9.10	5.70	1

Step 2: Multiply the width of the cabinet times the lineal inch multiplier and add the base price.

$$17.25 \text{ (cabinet width)} \times 2.2 \text{ (lineal inch multiplier)} + \$128.00 \text{ (base price)} = \$165.95$$

Step 3: Add any additional options to determine subtotaled cabinet cost.

Item	List price
CSBASE 17-1/4"W x 34"H x 24"D	\$165.95
Flush end left	7.50
Toeboard	4.00
Subtotaled Cabinet Cost	\$177.45

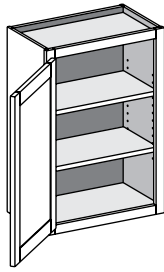
Step 4: Multiply the Subtotaled Cabinet Cost by the specie multiplier found in the Material Pricing Guide. This is the total cabinetry cost.

Item	List price
CSBASE 17-1/4"W x 34"H x 24"D	\$165.95
Flush end left	7.50
Toeboard	4.00
Subtotaled Cabinet Cost	177.45
X Specie Multiplier - Cherry	1.05
Cabinet Total	\$186.32

Options Key: D=Number of Doors DF=Number of Drawer Fronts DB=Drawer Box EXT=Extended Stiles EXP=Exposed End FL=Flush End MI=Matching Interior STR=Shaped Top Rail FT=Flush Toe FTRA=Flush Toe with Roman Arch Shape
*Wood shelf upgrade



CSWALL - Custom Size Wall



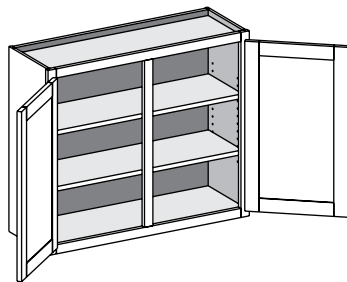
Size ranges
Width: 9" – 36"
Height: 12" – 48"
Depth: 5-1/2" – 27"

D	DF	DB	EXT	EXP	FL	MI	STR	FT	FTRA
1,2			✓	✓	✓	✓	✓		

- Available with 1 or 2 doors
Up to 24" receives 1 door
24" – 27" select single or butt door
Over 27" butt door only
- Under 15" wide not available with STR

Cabinet Height	Craftsman		Pioneer			Flush End (each)	Exposed End (each)	Number of Shelves
	4-sided Base Price	Lineal Inch Multiplier	4-sided Base Price	Lineal Inch Multiplier	Wood Shelf (per inch)			
Cabinet Depth 5-1/2" – 12-1/2"								
12" – 18"	\$65.00	0.9	\$58.00	0.6	—	\$2.00	\$0.80	—
18-1/16" – 24"	69.00	1.2	62.00	0.7	.2	2.60	1.00	1
24-1/16" – 36"	75.00	1.8	70.00	0.9	.4	4.00	1.60	2
36-1/16" – 48"	88.00	2.5	76.00	1.1	.6	5.30	2.10	3
Cabinet Depth 12-9/16" – 27"								
12" – 18"	75.00	1.4	\$68.00	0.8	—	\$4.40	\$1.70	—
18-1/16" – 24"	83.00	2.2	74.00	1.1	.6	5.90	2.30	1
24-1/16" – 36"	94.00	3.3	88.00	1.4	1.2	8.80	3.50	2
36-1/16" – 48"	119.00	4.3	105.00	1.7	1.8	11.80	4.60	3

CSWALLCS - Custom Size Wall Center Stile



Size ranges
Width: 27" – 48"
Height: 12" – 48"
Depth: 5-1/2" – 27"

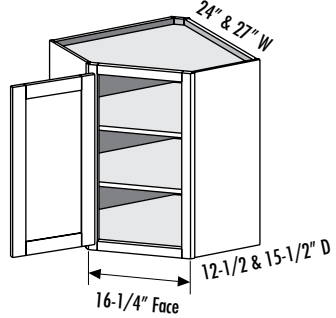
D	DF	DB	EXT	EXP	FL	MI	STR	FT	FTRA
2			✓	✓	✓	✓			

Cabinet Height	Craftsman		Pioneer			Flush End (each)	Exposed End (each)	Number of Shelves
	4-sided Base Price	Lineal Inch Multiplier	4-sided Base Price	Lineal Inch Multiplier	Wood Shelf (per inch)			
Cabinet Depth 5-1/2" – 12-1/2"								
12" – 18"	\$54.00	1.3	\$49.00	0.8	—	\$2.00	\$0.80	—
18-1/16" – 24"	58.00	1.6	54.00	1.0	.2	2.60	1.00	1
24-1/16" – 36"	68.00	1.9	64.00	1.3	.4	4.00	1.60	2
36-1/16" – 48"	89.00	2.2	75.00	1.6	.6	5.30	2.10	3
Cabinet Depth 12-9/16" – 27"								
12" – 18"	\$66.00	1.7	\$61.00	1.0	—	\$4.40	\$1.70	—
18-1/16" – 24"	80.00	2.5	76.00	1.2	.6	5.90	2.30	1
24-1/16" – 36"	94.00	3.5	84.00	1.6	1.2	8.80	3.50	2
36-1/16" – 48"	114.00	4.7	97.00	2.1	1.8	11.80	4.60	3

Options Key: D=Number of Doors DF=Number of Drawer Fronts DB=Drawer Box EXT=Extended Stiles EXP=Exposed End FL=Flush End MI=Matching Interior STR=Shaped Top Rail FT=Flush Toe FTRA=Flush Toe with Roman Arch Shape
*Wood shelf upgrade



CSWALLCSE - Custom Size Wall Corner Single Entry



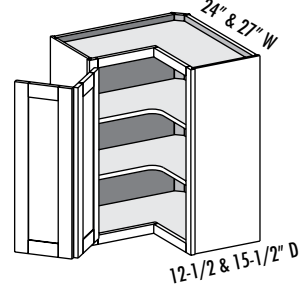
Size ranges
 Width: 24", 27"
 Height: 24" - 48"
 Depth: 24", 27"

D	DF	DB	EXT	EXP	FL	MI	STR	FT	FTRA
1				✓	✓	✓			

- Adjustable in height only
- 24" deep units have 12-1/2" deep sides
- 27" deep units have 15-1/2" deep sides

Cabinet Height	Craftsman		Pioneer			Flush End (each)	Exposed End (each)	Number of Shelves
	4-sided Base Price	Lineal Inch Multiplier	4-sided Base Price	Lineal Inch Multiplier	Wood Shelf (per inch)			
Cabinet Depth 24"								
24" - 36"	\$163.00	—	\$135.00	—	.8	\$4.00	\$1.60	2
36-1/16" - 48"	205.00	—	183.00	—	1.2	5.30	2.10	3
Cabinet Depth 27"								
24" - 36"	\$215.00	—	\$177.00	—	1.0	\$5.00	\$1.90	2
36-1/16" - 48"	264.00	—	234.00	—	1.5	6.30	2.40	3

CSWALLPC - Custom Size Wall Piecut



Size ranges
 Width: 24", 27"
 Height: 24" - 48"
 Depth: 24", 27"

D	DF	DB	EXT	EXP	FL	MI	STR	FT	FTRA
2				✓	✓	✓			

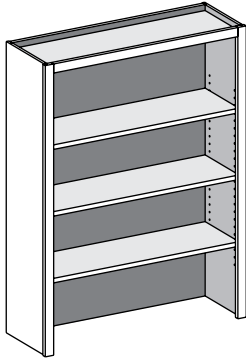
- Adjustable in height only
- 24" deep units have 12-1/2" deep sides
- 27" deep units have 15-1/2" deep sides

Cabinet Height	Craftsman		Pioneer			Flush End (each)	Exposed End (each)	Number of Shelves
	4-sided Base Price	Lineal Inch Multiplier	4-sided Base Price	Lineal Inch Multiplier	Wood Shelf (per inch)			
Cabinet Depth 24"								
24" - 36"	\$154.00	—	\$127.00	—	.8	\$4.00	\$1.60	2
36-1/16" - 48"	185.00	—	172.00	—	1.2	5.30	2.10	3
Cabinet Depth 27"								
24" - 36"	\$200.00	—	\$169.00	—	1.0	\$5.00	\$1.90	2
36-1/16" - 48"	249.00	—	218.00	—	1.5	6.30	2.40	3

Options Key: D=Number of Doors DF=Number of Drawer Fronts DB=Drawer Box EXT=Extended Stiles EXP=Exposed End FL=Flush End MI=Matching Interior STR=Shaped Top Rail FT=Flush Toe FTRA=Flush Toe with Roman Arch Shape *Wood shelf upgrade



CSWALLOBS - Custom Size Wall Open Bookshelf

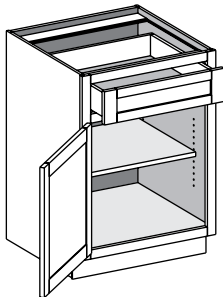


Size ranges
Width: 15"–36"
Height: 36"–66"
Depth: 5-1/2"–24"

D	DF	DB	EXT	EXP	FL	MI	STR	FT	FTRA
			✓	STD	✓	STD	✓		

Cabinet Height	Craftsman		Pioneer			Flush End (each)	Exposed End (each)	Number of Shelves
	4-sided Base Price	Lineal Inch Multiplier	4-sided Base Price	Lineal Inch Multiplier	Wood Shelf (per inch)			
Cabinet Depth 5-1/2" – 12-1/2"								
36" – 59"	\$126.00	2.2	—	—	—	\$6.70	—	3
59-1/16" – 66"	135.00	2.3	—	—	—	7.30	—	4
Cabinet Depth 12-9/16" – 24"								
39" – 59"	\$155.00	2.9	—	—	—	\$14.80	—	3
59-1/16" – 66"	164.00	3.1	—	—	—	16.30	—	4

CSBASE - Custom Size Base



Size ranges
Width: 9"–36"
Height: 31-1/2"–42"
Depth: 18", 21", 24"

D	DF	DB	EXT	EXP	FL	MI	STR	FT	FTRA
1,2	1	1	✓	✓	✓	✓		✓	✓

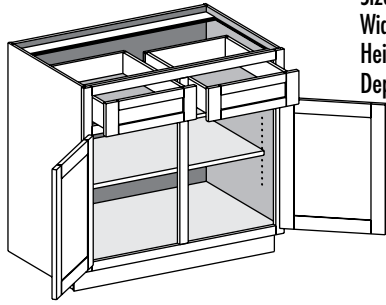
- Available with 1 or 2 doors
Up to 24" receives 1 door
24" – 27" select single or butt door
Over 27" butt door only
- When height changes, lower opening height changes. Drawer opening height fixed at 5"
- Under 15" wide not available with FTRA

Cabinet Height	Craftsman		Pioneer			Flush End (each)	Exposed End (each)	Number of Shelves
	4-sided Base Price	Lineal Inch Multiplier	4-sided Base Price	Lineal Inch Multiplier	Wood Shelf (per inch)			
31-1/2" – 34-1/2"	\$128.00	2.2	\$115.00	1.4	.6	\$7.50	\$4.70	1
34-9/16" – 42"	142.00	2.3	124.00	1.5	.6	9.10	5.70	1

Options Key: D=Number of Doors DF=Number of Drawer Fronts DB=Drawer Box EXT=Extended Stiles EXP=Exposed End FL=Flush End MI=Matching Interior STR=Shaped Top Rail FT=Flush Toe FTRA=Flush Toe with Roman Arch Shape
*Wood shelf upgrade



CSBASE2D2D - Custom Size Base 2 Drawer 2 Door



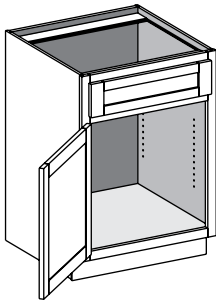
Size ranges
 Width: 30"– 48"
 Height: 31-1/2"– 42"
 Depth: 18", 21", 24"

D	DF	DB	EXT	EXP	FL	MI	STR	FT	FTRA
2	2	2	✓	✓	✓	✓		✓	✓

- When height changes, lower opening height changes. Drawer opening height fixed at 5"
- When width changes, opening widths remain equal

Cabinet Height	Craftsman		Pioneer			Flush End (each)	Exposed End (each)	Number of Shelves
	4-sided Base Price	Lineal Inch Multiplier	4-sided Base Price	Lineal Inch Multiplier	Wood Shelf (per inch)			
31-1/2" – 34-1/2"	\$159.00	2.5	\$143.00	1.6	.6	\$7.50	\$4.70	1
34-9/16" – 42"	177.00	2.7	156.00	1.7	.6	9.10	5.70	1

CSBASES - Custom Size Base Sink



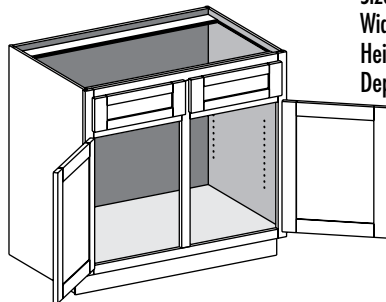
Size ranges
 Width: 24"– 36"
 Height: 31-1/2"– 42"
 Depth: 18"– 27"

D	DF	DB	EXT	EXP	FL	MI	STR	FT	FTRA
1,2	1		✓	✓	✓	✓		✓	✓

- Available with 1 or 2 doors
 Up to 24" receives 1 door
 24" – 27" select single or butt door
 Over 27" butt door only
- When height changes, lower opening height changes. Drawer opening height fixed at 5"

Cabinet Height	Craftsman		Pioneer			Flush End (each)	Exposed End (each)	Number of Shelves
	4-sided Base Price	Lineal Inch Multiplier	4-sided Base Price	Lineal Inch Multiplier	Wood Shelf (per inch)			
31-1/2" – 34-1/2"	\$102.00	1.3	\$85.00	1.0	—	\$7.50	\$4.70	—
34-9/16" – 42"	115.00	1.4	89.00	1.1	—	9.10	5.70	—

CSBASES2D2D - Custom Size Base Sink 2 Drawer 2 Door



Size ranges
 Width: 30"– 48"
 Height: 31-1/2"– 42"
 Depth: 18"– 27"

D	DF	DB	EXT	EXP	FL	MI	STR	FT	FTRA
2	2		✓	✓	✓	✓		✓	✓

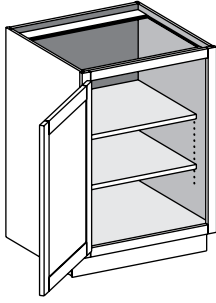
- When height changes, lower opening height changes. Drawer opening height fixed at 5"
- When width changes, opening widths remain equal

Cabinet Height	Craftsman		Pioneer			Flush End (each)	Exposed End (each)	Number of Shelves
	4-sided Base Price	Lineal Inch Multiplier	4-sided Base Price	Lineal Inch Multiplier	Wood Shelf (per inch)			
31-1/2" – 34-1/2"	\$105.00	1.3	\$98.00	0.9	—	\$7.50	\$4.70	—
34-9/16" – 42"	118.00	1.4	101.00	1.0	—	9.10	5.70	—

Options Key: D=Number of Doors DF=Number of Drawer Fronts DB=Drawer Box EXT=Extended Stiles EXP=Exposed End FL=Flush End MI=Matching Interior STR=Shaped Top Rail FT=Flush Toe FTRA=Flush Toe with Roman Arch Shape
 *Wood shelf upgrade



CSBASEFD - Custom Size Base Full Door



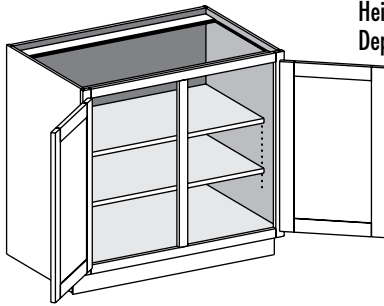
Size ranges
 Width: 9" – 36"
 Height: 31-1/2" – 42"
 Depth: 5-1/2" – 27"

D	DF	DB	EXT	EXP	FL	MI	STR	FT	FTRA
1,2			✓	✓	✓	✓		✓	✓

- Available with 1 or 2 doors
 Up to 24" receives 1 door
 24" – 27" select single or butt door
 Over 27" butt door only
- Under 15" wide not available with FTRA

Cabinet Height	Craftsman		Pioneer			Flush End (each)	Exposed End (each)	Number of Shelves
	4-sided Base Price	Lineal Inch Multiplier	4-sided Base Price	Lineal Inch Multiplier	Wood Shelf (per inch)			
31-1/2" – 34-1/2"	\$110.00	2.3	\$98.00	1.4	1.2	\$7.50	\$4.70	2
34-9/16" – 42"	123.00	2.5	111.00	1.5	1.2	9.10	5.70	2

CSBASEFDCS - Custom Size Base Full Door Center Stile



Size ranges
 Width: 27" – 48"
 Height: 31-1/2" – 42"
 Depth: 5-1/2" – 27"

D	DF	DB	EXT	EXP	FL	MI	STR	FT	FTRA
2			✓	✓	✓	✓		✓	✓

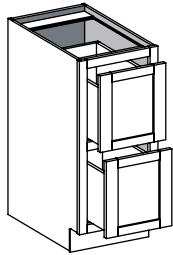
- When width changes, opening widths remain equal

Cabinet Height	Craftsman		Pioneer			Flush End (each)	Exposed End (each)	Number of Shelves
	4-sided Base Price	Lineal Inch Multiplier	4-sided Base Price	Lineal Inch Multiplier	Wood Shelf (per inch)			
31-1/2" – 34-1/2"	\$120.00	2.7	\$102.00	1.5	1.2	\$7.50	\$4.70	2
34-9/16" – 42"	134.00	2.9	115.00	1.6	1.2	9.10	5.70	2

Options Key: D=Number of Doors DF=Number of Drawer Fronts DB=Drawer Box EXT=Extended Stiles EXP=Exposed End FL=Flush End
 MI=Matching Interior STR=Shaped Top Rail FT=Flush Toe FTRA=Flush Toe with Roman Arch Shape
 *Wood shelf upgrade



CSBASE2D - Custom Size Base 2 Drawer



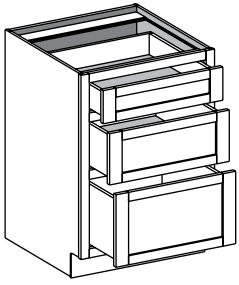
Size ranges
 Width: 12"– 39"
 Height: 31-1/2"– 34-1/2"
 Depth: 18", 21", 24"

D	DF	DB	EXT	EXP	FL	MI	STR	FT	FTRA
	2	2	✓	✓	✓			✓	✓

- When height changes, both drawer heights are equal

Cabinet Height	Craftsman		Pioneer			Flush End (each)	Exposed End (each)	Number of Shelves
	4-sided Base Price	Lineal Inch Multiplier	4-sided Base Price	Lineal Inch Multiplier	Wood Shelf (per inch)			
31-1/2" – 34-1/2"	\$175.00	2.7	\$135.00	2.5	—	\$7.50	\$4.70	—

CSBASE3D - Custom Size Base 3 Drawer



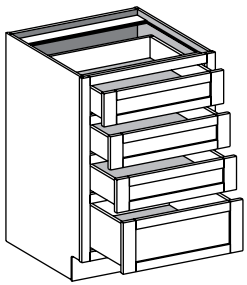
Size ranges
 Width: 12"– 39"
 Height: 31-1/2"– 34-1/2"
 Depth: 18", 21", 24"

D	DF	DB	EXT	EXP	FL	MI	STR	FT	FTRA
	3	3	✓	✓	✓			✓	✓

- When height changes, lower opening height changes. Upper drawer opening heights fixed at 5" and 8"

Cabinet Height	Craftsman		Pioneer			Flush End (each)	Exposed End (each)	Number of Shelves
	4-sided Base Price	Lineal Inch Multiplier	4-sided Base Price	Lineal Inch Multiplier	Wood Shelf (per inch)			
31-1/2" – 34-1/2"	\$225.00	3.2	\$170.00	2.9	—	\$7.50	\$4.70	—

CSBASE4D - Custom Size Base 4 Drawer



Size ranges
 Width: 12"– 39"
 Height: 31-1/2"– 34-1/2"
 Depth: 18", 21", 24"

D	DF	DB	EXT	EXP	FL	MI	STR	FT	FTRA
	4	4	✓	✓	✓			✓	✓

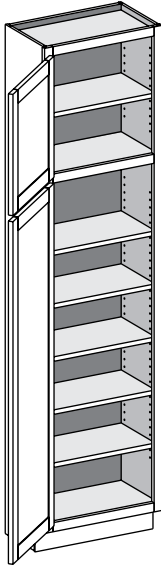
- When height changes, lower opening height changes. Upper drawer opening heights fixed at 5"

Cabinet Height	Craftsman		Pioneer			Flush End (each)	Exposed End (each)	Number of Shelves
	4-sided Base Price	Lineal Inch Multiplier	4-sided Base Price	Lineal Inch Multiplier	Wood Shelf (per inch)			
31-1/2" – 34-1/2"	\$245.00	3.5	\$197.00	3.1	—	\$7.50	\$4.70	—

Options Key: D=Number of Doors DF=Number of Drawer Fronts DB=Drawer Box EXT=Extended Stiles EXP=Exposed End FL=Flush End MI=Matching Interior STR=Shaped Top Rail FT=Flush Toe FTRA=Flush Toe with Roman Arch Shape
 *Wood shelf upgrade



CSUTL - Custom Size Utility



Size ranges
 Width: 12" – 36"
 Height: 84" – 96"
 Depth: 5-1/2" – 27"

D	DF	DB	EXT	EXP	FL	MI	STR	FT	FTRA
2,4			✓	✓	✓	✓	✓	✓	✓

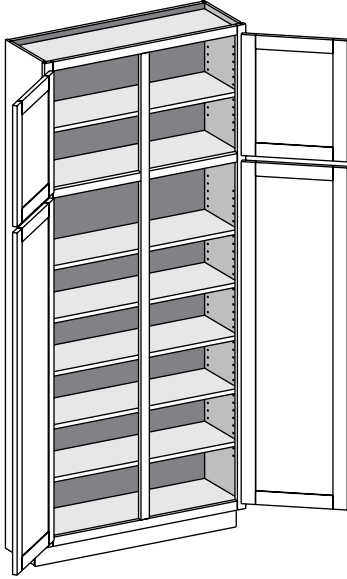
- Available with 2 or 4 doors
 Up to 24" receives 2 doors
 24" – 27" select single or butt doors
 Over 27" butt doors only
- When height changes, upper opening height changes. Lower opening height fixed at 56"
- 90-1/16" – 96" units have separate 4" toe platform, unless ordered with a flush toe

Cabinet Height	Craftsman		Pioneer			Flush End (each)	Exposed End (each)	Number of Shelves
	4-sided Base Price	Lineal Inch Multiplier	4-sided Base Price	Lineal Inch Multiplier	Wood Shelf (per inch)			
Cabinet Depth 5-1/2" – 12-1/2"								
84" – 90"	\$152.00	4.1	\$132.00	3.1	1.2	\$9.90	\$3.90	6
90-1/16" – 96"	168.00	4.7	156.00	3.5	1.4	10.10	4.00	7
Cabinet Depth 12-9/16" – 27"								
84" – 90"	\$197.00	7.1	\$167.00	3.6	3.6	\$22.00	\$8.60	6
90-1/16" – 96"	217.00	8.1	182.00	4.0	4.2	22.50	8.80	7

Options Key: D=Number of Doors DF=Number of Drawer Fronts DB=Drawer Box EXT=Extended Stiles EXP=Exposed End FL=Flush End
 MI=Matching Interior STR=Shaped Top Rail FT=Flush Toe FTRA=Flush Toe with Roman Arch Shape
 *Wood shelf upgrade



CSUTLCS - Custom Size Utility Center Stile



Size ranges
 Width: 27" – 36"
 Height: 84" – 96"
 Depth: 5-1/2" – 27"

D	DF	DB	EXT	EXP	FL	MI	STR	FT	FTRA
4			✓	✓	✓	✓		✓	✓

- When height changes, upper opening height changes. Lower opening height fixed at 56"
- 90-1/16" – 96" units have separate 4" toe platform, unless ordered with a flush toe

Cabinet Height	Craftsman		Pioneer			Flush End (each)	Exposed End (each)	Number of Shelves
	4-sided Base Price	Lineal Inch Multiplier	4-sided Base Price	Lineal Inch Multiplier	Wood Shelf (per inch)			
Cabinet Depth 5-1/2" – 12-1/2"								
84" – 90"	\$158.00	4.8	\$146.00	3.3	1.2	\$9.90	\$3.90	6
90-1/16" – 96"	171.00	5.3	160.00	3.8	1.4	10.10	4.00	7
Cabinet Depth 12-9/16" – 27"								
84" – 90"	\$174.00	8.6	\$162.00	4.5	3.6	\$22.00	\$8.60	6
90-1/16" – 96"	195.00	9.0	184.00	5.2	4.2	22.50	8.80	7

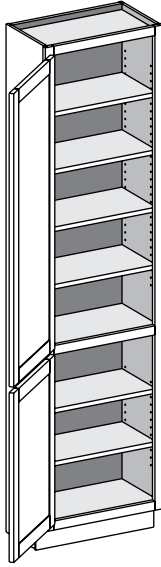
CUSTOM SIZE CABINETS

Cabinet Systems

Options Key: D=Number of Doors DF=Number of Drawer Fronts DB=Drawer Box EXT=Extended Stiles EXP=Exposed End FL=Flush End MI=Matching Interior STR=Shaped Top Rail FT=Flush Toe FTRA=Flush Toe with Roman Arch Shape
 *Wood shelf upgrade



CSUTLR - Custom Size Utility Reverse



Size ranges
 Width: 12" – 36"
 Height: 84" – 96"
 Depth: 5-1/2" – 27"

D	DF	DB	EXT	EXP	FL	MI	STR	FT	FTRA
2,4			✓	✓	✓	✓	✓	✓	✓

- Available with 2 or 4 doors
 Up to 24" receives 2 doors
 24" – 27" select single or butt doors
 Over 27" butt doors only
- When height changes, upper opening height changes. Lower opening height fixed at 27-1/2"
- 90-1/16" – 96" units have separate 4" toe platform, unless ordered with a flush toe

Cabinet Height	Craftsman		Pioneer			Flush End (each)	Exposed End (each)	Number of Shelves
	4-sided Base Price	Lineal Inch Multiplier	4-sided Base Price	Lineal Inch Multiplier	Wood Shelf (per inch)			
Cabinet Depth 5-1/2" – 12-1/2"								
84" – 90"	\$152.00	4.1	\$132.00	3.1	1.2	\$9.90	\$3.90	6
90-1/16" – 96"	168.00	4.7	156.00	3.5	1.4	10.10	4.00	7
Cabinet Depth 12-9/16" – 27"								
84" – 90"	\$197.00	7.1	\$167.00	3.6	3.6	\$22.00	\$8.60	6
90-1/16" – 96"	217.00	8.1	182.00	4.0	4.2	22.50	8.80	7

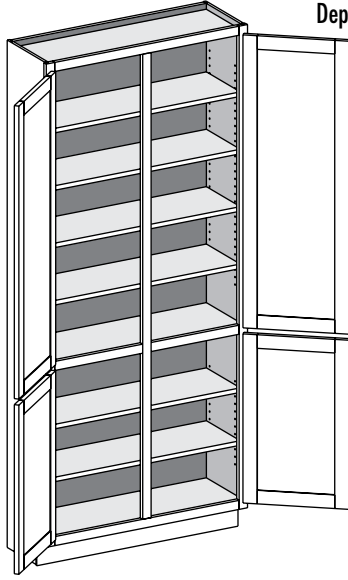
Options Key: D=Number of Doors DF=Number of Drawer Fronts DB=Drawer Box EXT=Extended Stiles EXP=Exposed End FL=Flush End
 MI=Matching Interior STR=Shaped Top Rail FT=Flush Toe FTRA=Flush Toe with Roman Arch Shape
 *Wood shelf upgrade



CSUTLRCS - Custom Size Utility Reverse Center Stile

Size ranges
 Width: 27" – 36"
 Height: 84" – 96"
 Depth: 5-1/2" – 27"

D	DF	DB	EXT	EXP	FL	MI	STR	FT	FTRA
4			✓	✓	✓	✓		✓	✓



- When height changes, upper opening height changes. Lower opening height fixed at 27-1/2"
- 90-1/16" – 96" units have separate 4" toe platform, unless ordered with a flush toe

Cabinet Height	Craftsman		Pioneer			Flush End (each)	Exposed End (each)	Number of Shelves
	4-sided Base Price	Lineal Inch Multiplier	4-sided Base Price	Lineal Inch Multiplier	Wood Shelf (per inch)			
Cabinet Depth 5-1/2" – 12-1/2"								
84" – 90"	\$158.00	4.8	\$146.00	3.3	1.2	\$9.90	\$3.90	6
90-1/16" – 96"	171.00	5.3	160.00	3.8	1.4	10.10	4.00	7
Cabinet Depth 12-9/16" – 27"								
84" – 90"	\$174.00	8.6	\$162.00	4.5	3.6	\$22.00	\$8.60	6
90-1/16" – 96"	195.00	9.0	184.00	5.2	4.2	22.50	8.80	7

CUSTOM SIZE CABINETS

Cabinet Systems

Options Key: D=Number of Doors DF=Number of Drawer Fronts DB=Drawer Box EXT=Extended Stiles EXP=Exposed End FL=Flush End MI=Matching Interior STR=Shaped Top Rail FT=Flush Toe FTRA=Flush Toe with Roman Arch Shape
 *Wood shelf upgrade